

Service
Service
Service



Service Manual

For repair information on the Subwoofer please refer to Service Manual of Active Subwoofer SW3600 12NC: 3139 785 30069 and SW3700/SW3800 12NC: 3139 785 30068



TABLE OF CONTENTS

	Page
Location of PC Boards	1-2
Versions Variation & Package	1-2
Specifications	1-3
Measurement Setup	1-4
Service Aids	1-5
ESD & Safety Instruction	1-6
Setting Procedure & Repair Instructions	2
Disassembly Instructions & Service positions	3
Block & Wiring Diagram	4
Key/ Volume/ LED Board	5
Tuner Board	6
DVD Module	7
Main Board (Include Headphone Board)	8
Scart/ RGB Board	9
Power Board	10
Mechanical Exploded View & Parts List	11



© Copyright 2002 Philips Consumer Electronics B.V. Eindhoven, The Netherlands
All rights reserved. No part of this publication may be reproduced, stored in a retrieval system or transmitted, in any form or by any means, electronic, mechanical, photocopying, or otherwise without the prior permission of Philips.

Published by KC-ET0227 Service Audio Printed in The Netherlands Subject to modification



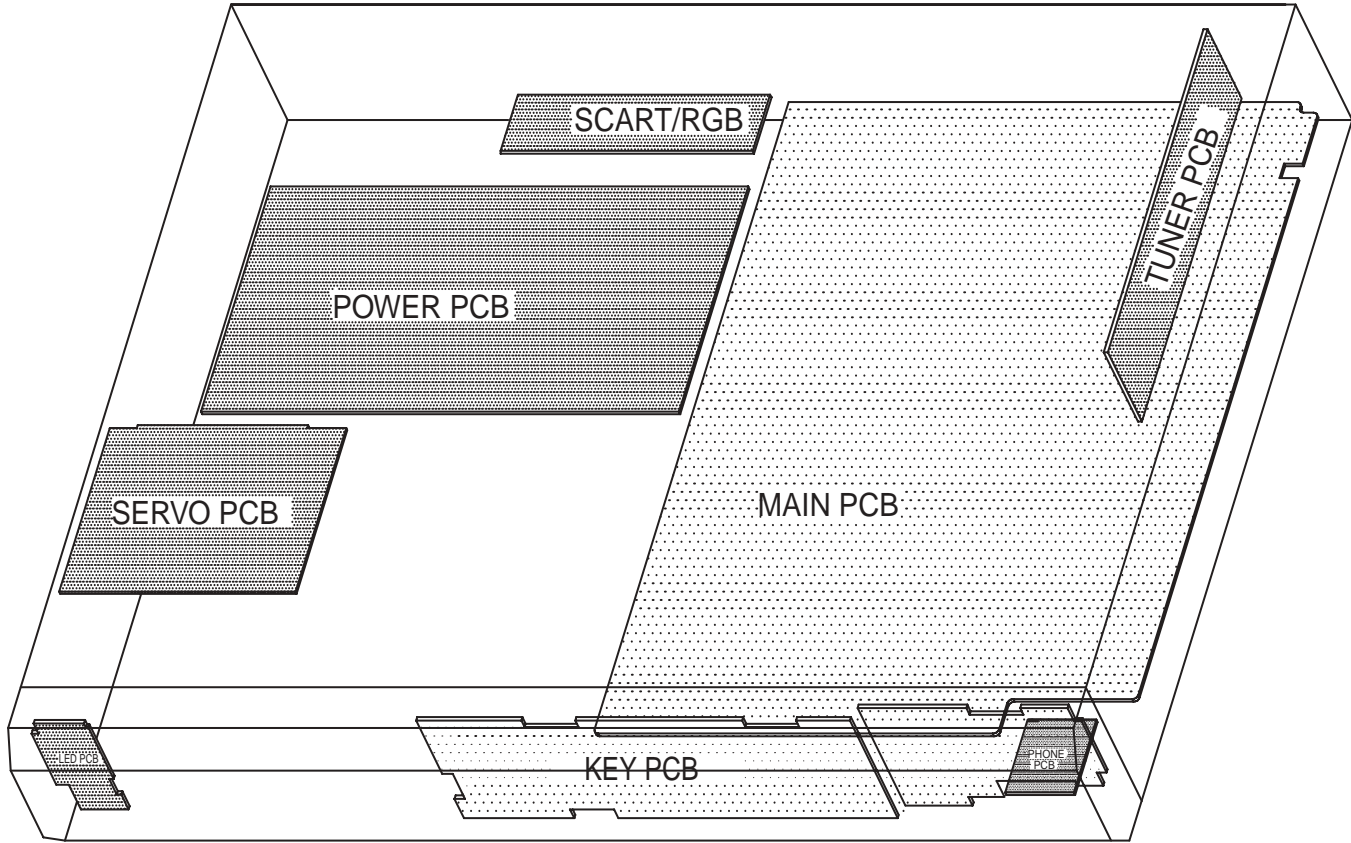
3139 785 30067

Version 1.0



PHILIPS

LOCATION OF PC BOARDS



VERSION VARIATION:

Type /Versions:	MX3600D	MX3700D	MX3800D
Features & Board in used	/37	/37S	/22S
RDS function			x
Progressive scan			x
Scart board			x
RGB board	x	x	
Power PCB (110V~127V/120V)	x	x	
Power PCB (220V~240V)			x

Type /Versions:	MX3600D	MX3700D	MX3800D
Subwoofer	/37	/37S	/22S
SW3600/17S	x		
SW3700/17S		x	
SW3800/00S			x

SPECIFICATIONS

AMPLIFIER SECTION

Power Output	
- Stereo mode (DIN).....	2 x 50 W
- Surround mode (1 kHz).....	50 W RMS/channel
Total Harmonic Distortion.....	10 % at rated power (1 kHz)
Frequency Response	180 Hz-14 kHz/±1 dB
Signal-to-Noise Ratio.....	> 65dB(CCIR)
Input Sensitivity.....	400 mV

DVD SECTION

Audio Performance :

Laser Type.....	Semiconductor
Disc Diameter.....	12cm/8cm
Video S/N ratio.....	65 dB/A- WTD
Audio DAC.....	24 Bits/96 kHz
Frequency Response.....	4 Hz-20 kHz (44.1kHz)
.....	4 Hz-22 kHz (48 kHz)
.....	4 Hz-44 kHz (96 kHz)
Digital Output.....	SPDIF Coaxial & Optical
Distortion.....	0.5% (1kHz)

MP3 :

MP3 - CD bit rate.....	32, 64, 96, 128, 192, 256(kbps)
MP3 - CD sampling frequencies.....	32, 44.1, 48(KHz)
Recording format.....	JPEG

For /37 and /37S only

TUNER SECTION

Tuning Range.....	FM 87.5 -108 MHz (100 kHz steps)
.....	AM 530 - 1700 kHz (10 kHz steps)
26 dB Quieting Sensitivity.....	FM 20 dB
26 dB Quieting Sensitivity.....	AM 5000 uV/m
Image Rejection Ratio.....	FM 25 dB
.....	AM 28 dB
IF Rejection Ratio.....	FM 60 dB
.....	AM 24 dB
Signal-to-Noise Ratio.....	FM 55 dB
.....	AM 35 dB
AM Suppression Ratio.....	FM 30 dB
Harmonic Distortion.....	FM Mono 3%
.....	FM Stereo 3%
.....	AM 5%
Frequency Response.....	FM 180 Hz-10kHz/±6 dB
Stereo Separation.....	FM 26 dB(1 kHz)
Stereo threshold.....	FM 23.5 dB

MISCELLANEOUS / GENERAL SECTION

Power Supply Rating.....	120V/60 Hz
Power Consumption.....	250 W
Dimensions (w x h x d).....	435 mm x 81 mm x 360mm
Weight.....	5.1 kg

VIDEO PERFORMANCES :

Video Decoding.....	MPEG-2
Video DAC.....	10 Bits
Signal System.....	PAL/NTSC
Video Format.....	4:3/16:9
Composite Video Output.....	1.0Vp-p,75Ω
S-Video Output.....	Y - 1.0Vp-p,75Ω
.....	C - 0.286Vp-p,75Ω

IR REMOTE CONTROL

Effective Range.....	> 8 Meter
Number of Keys.....	45
Battery (1.5V).....	AA x 2

SPEAKERS

Front Speakers / Surround speaker

System.....	2-way shielded
Impedance/ohm.....	8Ω
Speaker drivers.....	3" full range, 1" piezo
Dimensions (w x h x d).....	96 mm x 155 mm x 95 mm
Weight.....	0.45 Kg/each

Center Speaker

System.....	2-way shielded
Impedance/ohm.....	8Ω
Speaker drivers.....	3" full range, 1 piezo
Dimensions (w x h x d).....	250 mm x 94 mm x 80 mm
Weight.....	0.92 Kg/each

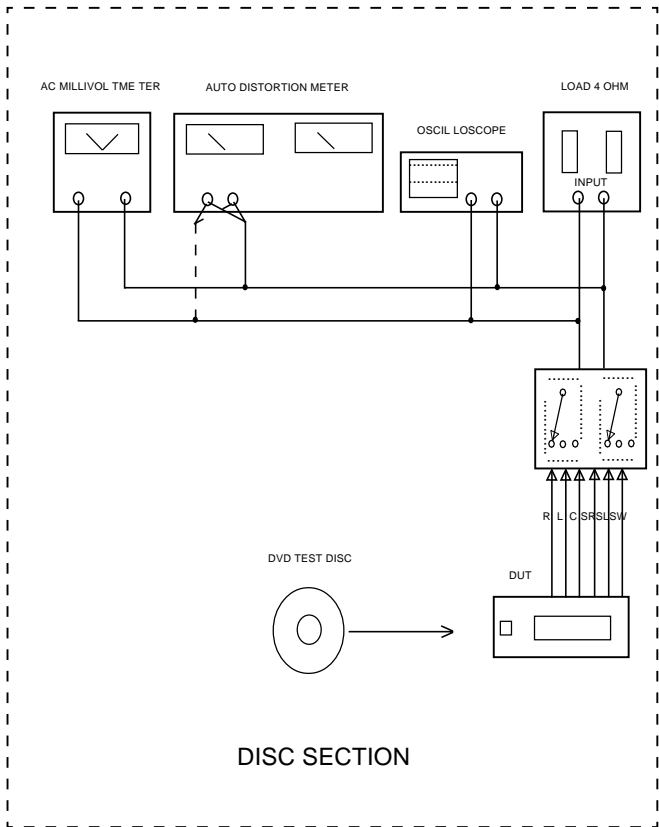
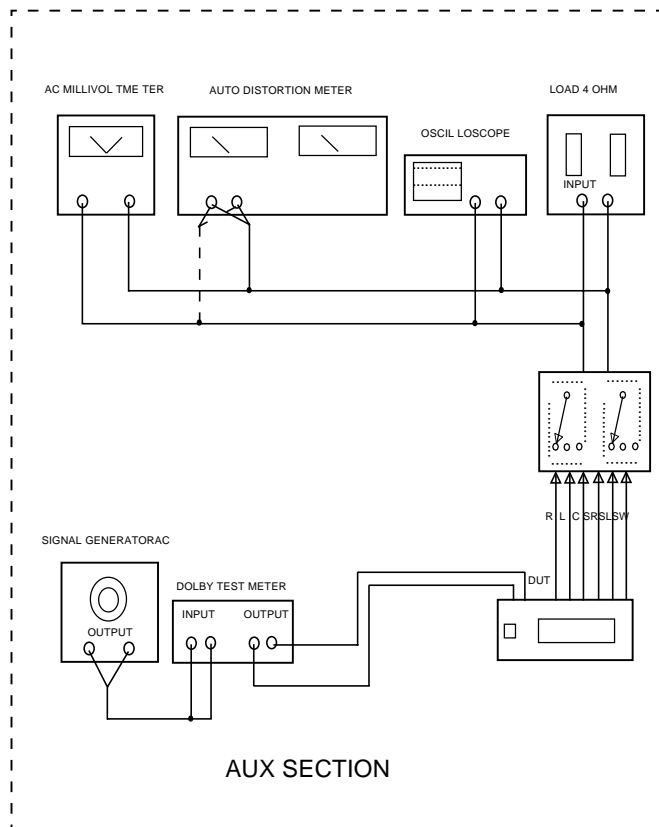
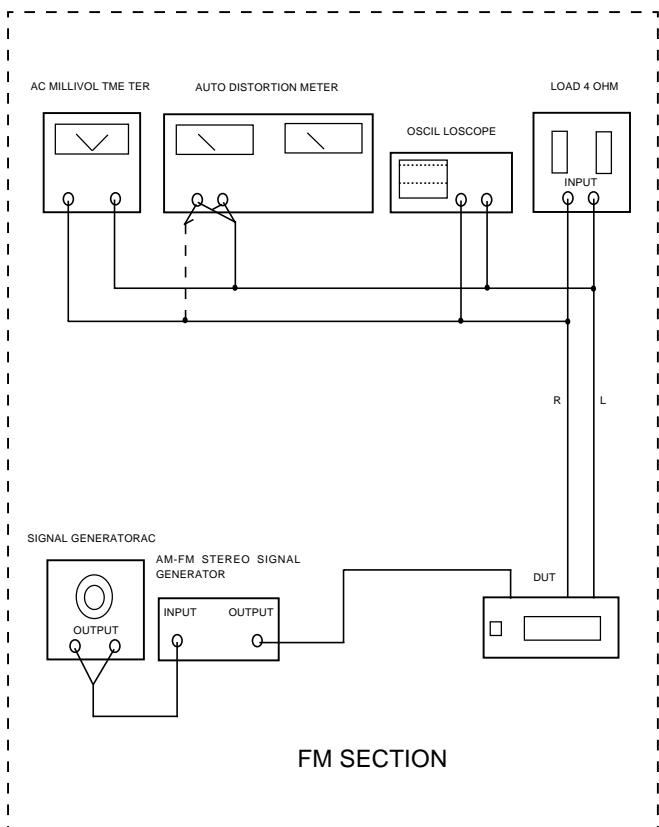
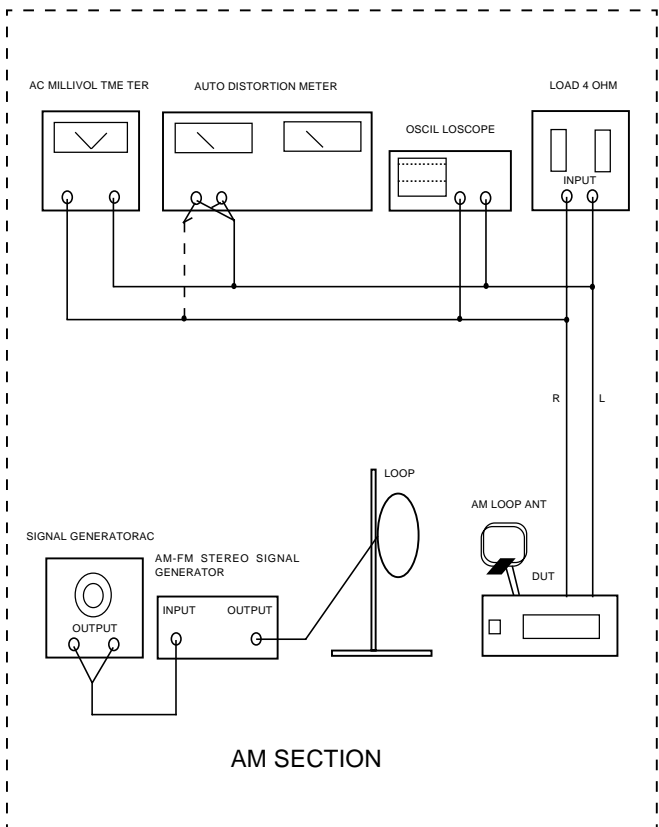
For /22S only

TUNER SECTION

Tuning Range.....	FM 87.5 -108 MHz (50 kHz steps)
.....	MW531 - 1602 kHz (9 kHz steps)
26 dB Quieting Sensitivity.....	FM 20 dB
26 dB Quieting Sensitivity.....	MW 5000 uV/m
Image Rejection Ratio.....	FM 25 dB
.....	MW 28 dB
IF Rejection Ratio.....	FM 60 dB
.....	MW 24 dB
Signal-to-Noise Ratio.....	FM 55 dB
.....	MW 35 dB
AM Suppression Ratio.....	FM 30 dB
Harmonic Distortion.....	FM Mono 3%
.....	FM Stereo 3%
.....	MW 5%
Frequency Response.....	FM 180 Hz-10kHz/±6 dB
Stereo Separation.....	FM 26 dB(1 kHz)
Stereo threshold.....	FM 23.5 dB

MISCELLANEOUS / GENERAL SECTION

Power Supply Rating.....	220 - 240V/50 Hz
Power Consumption.....	160 W
Dimensions (w x h x d).....	435 mm x 81 mm x 360mm
Weight.....	7.1 kg



SERVICE AIDS

Service Tools:

Universal Torx driver holder	4822 395 91019
Torx bit T10 150mm	4822 395 50456
Torx driver set T6-T20	4822 395 50145
Torx driver T10 extended	4822 395 50423

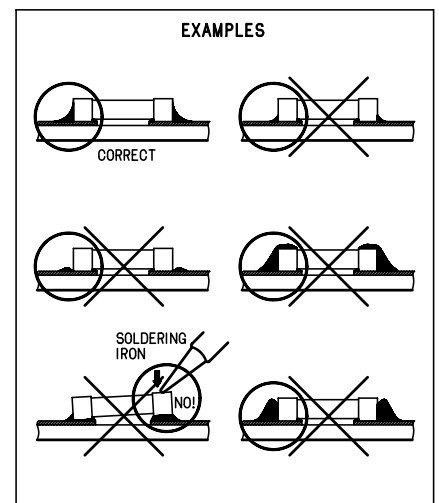
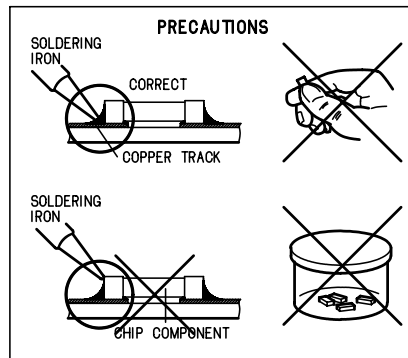
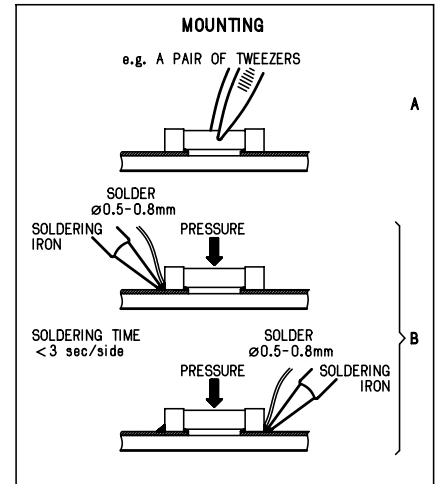
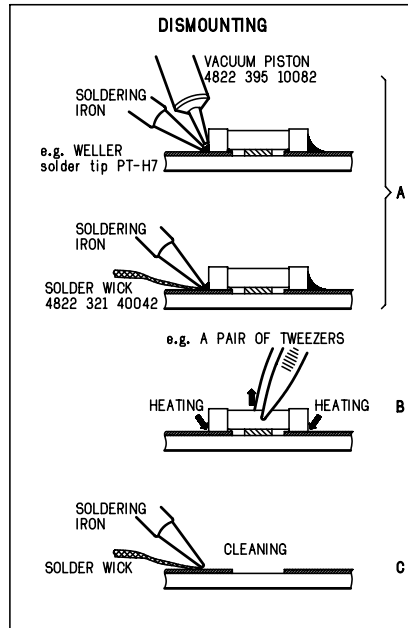
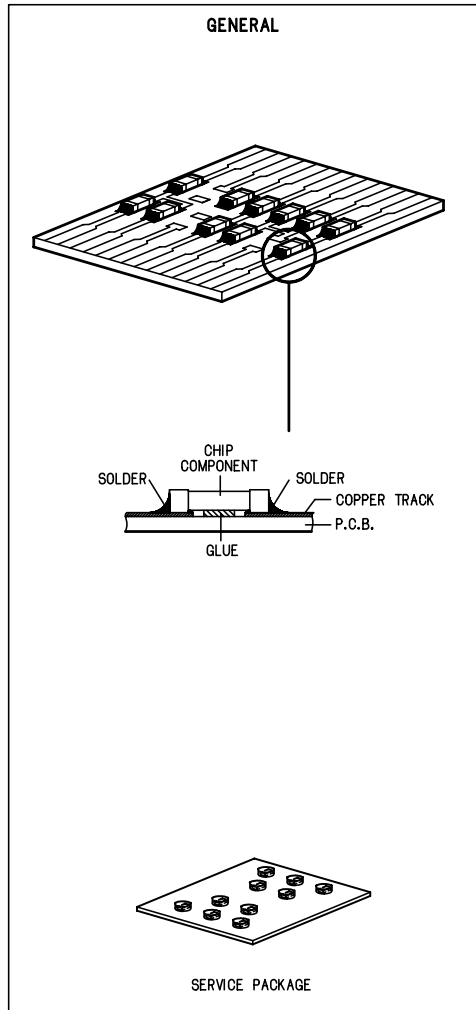
Compact Disc:

SBC426/426A Test disc 5 + 5A	4822 397 30096
SBC442 Audio Burn-in test disc 1kHz	4822 397 30155
SBC429 Audio Signals disc	4822 397 30184
Dolby Pro-logic Test Disc	4822 395 10216

ESD Equipment:

Anti-static table mat - large 1200x650x1.25mm	4822 466 10953
anti-static table mat - small 600x650x1.25mm	4822 466 10958
Anti-static wristband	4822 395 10223
Connectorbox (1M Ω)	4822 395 11307
Extension cable (to connect wristband to conn.box)	4822 320 11305
Connecting cable (to connect table mat to conn.box)	4822 320 11306
Earth cable (to Connect product to mat or box) --	4822 320 11308
Complete kit ESD3 (combining all above products)	4822 320 10671
Wristband tester	4822 344 13999

HANDLING CHIP COMPONENTS



(GB) WARNING

All ICs and many other semi-conductors are susceptible to electrostatic discharges (ESD). Careless handling during repair can reduce life drastically.

When repairing, make sure that you are connected with the same potential as the mass of the set via a wrist wrap with resistance.

Keep components and tools also at this potential.

ESD**(NL) WAARSCHUWING**

Alle IC's en vele andere halfgeleiders zijn gevoelig voor electrostatische ontladingen (ESD).

Onzorgvuldig behandelen tijdens reparatie kan de levensduur drastisch doen verminderen.

Zorg ervoor dat u tijdens reparatie via een polsband met weerstand verbonden bent met hetzelfde potentiaal als de massa van het apparaat.

Houd componenten en hulpmiddelen ook op hetzelfde potentiaal.

(F) ATTENTION

Tous les IC et beaucoup d'autres semi-conducteurs sont sensibles aux décharges statiques (ESD).

Leur longévité pourrait être considérablement écourtée par le fait qu'aucune précaution n'est prise à leur manipulation.

Lors de réparations, s'assurer de bien être relié au même potentiel que la masse de l'appareil et enfilez le bracelet serti d'une résistance de sécurité.

Veiller à ce que les composants ainsi que les outils que l'on utilise soient également à ce potentiel.

(D) WARNUNG

Alle ICs und viele andere Halbleiter sind empfindlich gegenüber elektrostatischen Entladungen (ESD).

Unvorsichtige Behandlung im Reparaturfall kann die Lebensdauer drastisch reduzieren.

Veranlassen Sie, dass Sie im Reparaturfall über ein Pulsarmband mit Widerstand verbunden sind mit dem gleichen Potential wie die Masse des Gerätes.

Bauteile und Hilfsmittel auch auf dieses gleiche Potential halten.

(I) AVVERTIMENTO

Tutti IC e parecchi semi-conduttori sono sensibili alle scariche statiche (ESD).

La loro longevità potrebbe essere fortemente ridotta in caso di non osservazione della più grande cauzione alla loro manipolazione.

Durante le riparazioni occorre quindi essere collegato allo stesso potenziale che quello della massa dell'apparecchio tramite un braccialetto a resistenza.

Assicurarsi che i componenti e anche gli utensili con quali si lavora siano anche a questo potenziale.

(GB)

Safety regulations require that the set be restored to its original condition and that parts which are identical with those specified, be used.

"Pour votre sécurité, ces documents doivent être utilisés par des spécialistes agréés, seuls habilités à réparer votre appareil en panne".

(NL)

Veiligheidsbepalingen vereisen, dat het apparaat bij reparatie in zijn oorspronkelijke toestand wordt teruggebracht en dat onderdelen, identiek aan de gespecificeerde, worden toegepast.

(F)

Les normes de sécurité exigent que l'appareil soit remis à l'état d'origine et que soient utilisées les pièces de rechange identiques à celles spécifiées.

(D)

Bei jeder Reparatur sind die geltenden Sicherheitsvorschriften zu beachten. Der Originalzustand des Geräts darf nicht verändert werden; für Reparaturen sind Original-Ersatzteile zu verwenden.

(I)

Le norme di sicurezza esigono che l'apparecchio venga rimesso nelle condizioni originali e che siano utilizzati i pezzi di ricambio identici a quelli specificati.

"After servicing and before returning set to customer perform a leakage current measurement test from all exposed metal parts to earth ground to assure no shock hazard exist. The leakage current must not exceed 0.5mA."

**(GB) Warning !**

Invisible laser radiation when open.
Avoid direct exposure to beam.

(S) Varning !

Osynlig laserstrålning när apparaten är öppnad och spärren är urkopplad. Betrakta ej strålen.

(SF) Varoitus !

Avatussa laitteessa ja suojaletituksen ohitettaessa olet alltiina näkymättömälle laserisäteilylle. Älä katso säteeseen!

(DK) Advarse !

Usynlig laserstråling ved åbning når sikkerhedsafbrydere er ude af funktion. Undgå udsættelse for stråling.

System, Region code, Tuner, etc. setting procedure

1) System Reset

- Press "SYSTEM" button on R/C. TV show "SETUP"
- Select the menu using the "▼" and "▶" button on R/C
- Go feature setup page to do system reset

2) Region Code Change

After replacement / repair of the MPEG board, the customer setting and the region code may lost. Changing the Region code will put the player back in the state which it has left the factory.

Region Code

1	USA
2	EU
3	AP
4	Australia, NZ, Latam
5	RUSSIA, INDIA
6	CHINA

TV System

1	NTSC
2	PAL
3	AUTO

Menu/ Audio Subtitle (AS) Language

1	English
2	English
3	English
4	English

AFS

001	LX3000D/LX3500D
002	MX3600D/MX3700D/MX3800

oem derivative

08

- region code = 1 digit
- tv system = 1 digit
- "as/menu lang" = 1 digit
- "AFS" = "architecture Feature Set" = 3 digits

This field is used to define the architecture / features sets for each product.

- "oem derivative" = 2 digit

This field is use to define the OEM set. This will affect the background display.

Hence in total, reprograming will be done by way of the remote control. It should run as below :-

- Put the player in stop mode. No disc loaded.
- Press the following key on remote control:

For MX3600/37 (USA)

<PLAY> <159> <131> <002> <08> PLAY

For MX3700/37S (USA)

<PLAY> <159> <131> <002> <08> PLAY

For MX3800/22S (Europe)

<PLAY> <159> <231> <002> <08> PLAY

* After the Region Code is changed it is necessary to reset the system so that the new Region Code will be fully effective. All customer setting will be lost.

* On top of the maximum number of times allowed for changing the region code is changed to 25.

* When the counter reach 25, you will not be able to further change the code until you reset the timer by the Region Code timer reset procedure

CAUTION !

This information is confidential and may not be distributed. Only a qualified service person should reprogram the Region Code.

3) Region code change timer reset

Press below key to reset the timer :

- In DISC source, stop mode and no disc in tray.
- Press R/C "Play -159-PLAY" to reset timer to 25

4) Tuner area change

- Press the "OPEN/CLOSE" button to open the set's door
- Press "1" "5" "9" button by using R/C.
- TV Show "TUNER AREA ADJUST"
- Select the tuner area you want by using the "▼" and "▶" button on R/C, then press "OK" to confirm. TV show "TUNER AREA CHANGED"

If you didn't press it in five seconds, the system will remain original status.

AREA	BAND	FREQUENCY (Hz)	STEP(Hz)	STEP(Hz)
USA	FM	87.5M	108M	100K
	AM	530K	1700K	10K
APAC	FM	87.5M	108M	50K
	AM	531K	1602K	9K
EUROPE	FM	87.5M	108M	50K
	AM	531K	1602K	9K
LATAM	FM	87.5M	108M	50K
	AM	530K	1710K	10K
AUSTRALIA / NZ	FM	87.5M	108M	50K
	AM	531K	1602K	9K

Note :-

- Please refer to the above different tuner area.

5. Video Out Change

- Press "SYSTEM" on R/C button
- Select the menu using the "▼" and "▶" button on R/C
- Go picture setup page select Video out item.

6. Password Change

- Press "SYSTEM" on R/C button
 - Select the menu using the "▼" and "▶" button on R/C
 - Go feature setup page select "PASSWORD". TV show "ENTER CODE". Press 4 times of "STOP" button on R/C.
 - Select "PARENTAL" "8 ADULT" on TV.
 - Enter PASSWORD to "1234"
- * "1234" is a default password supplied.

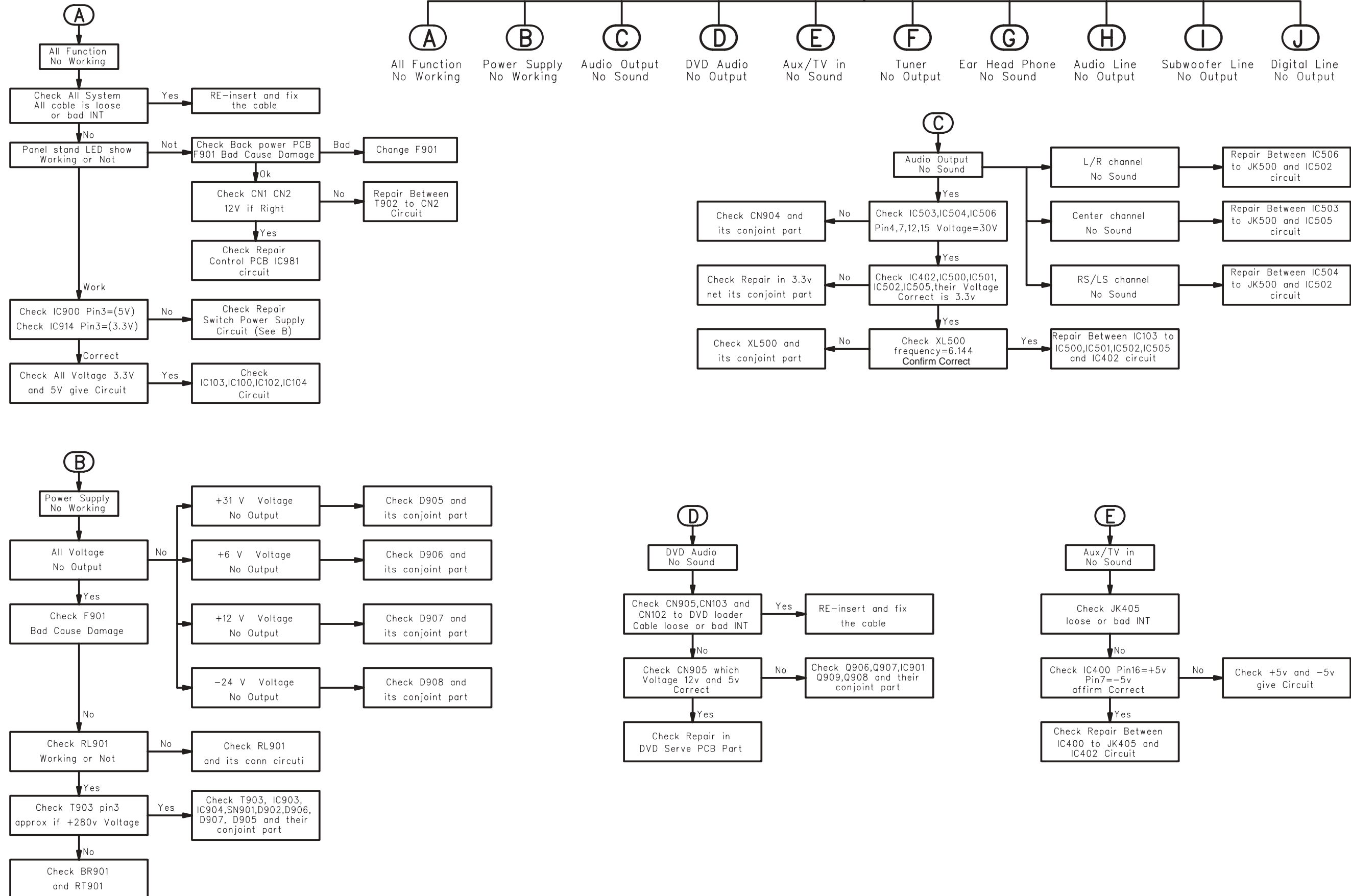
7. Upgrading new software

- Open the CD-door, then insert the CD-R program disc.
- Close the CD-door.
- TV will show:-
 - "disc loading"
 - "bank30.rom"
 - "writing" about 6 seconds.
 - "Done"

* The latest upgraded is in version VER0410.

REPAIR INSTRUCTION

MAIN UNIT REPAIR CHART



DISASSEMBLY INSTRUCTIONS

Dismantling of the Front Panel Assembly

1) Open the DVD Tray by using the Open/Close Button while the Set is ON and disconnect the mains supply after removing the Tray Cover.

Note: If this is not possible, the DVD Tray has to be open manually.

Take a mini screw driver about 2mm diameter and make a marking 24mm from the tip as shown in figure 2. place the set on its side, insert the mini screw driver till the marking and slide it towards the right as shown in figure 1 until the Tray moves out of the Front Panel.



Figure 1

Marking just outside the slot on the rear cabinet.



Figure 2

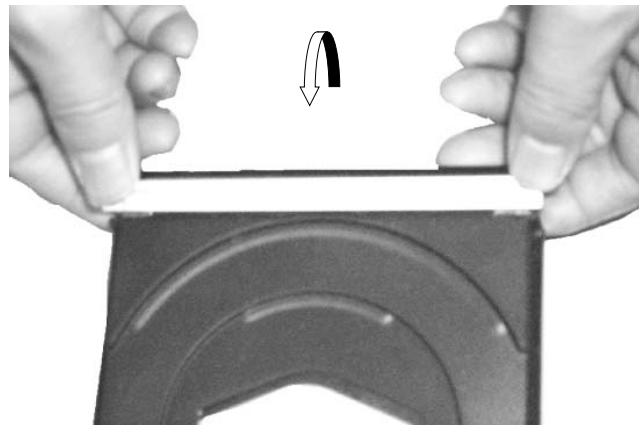
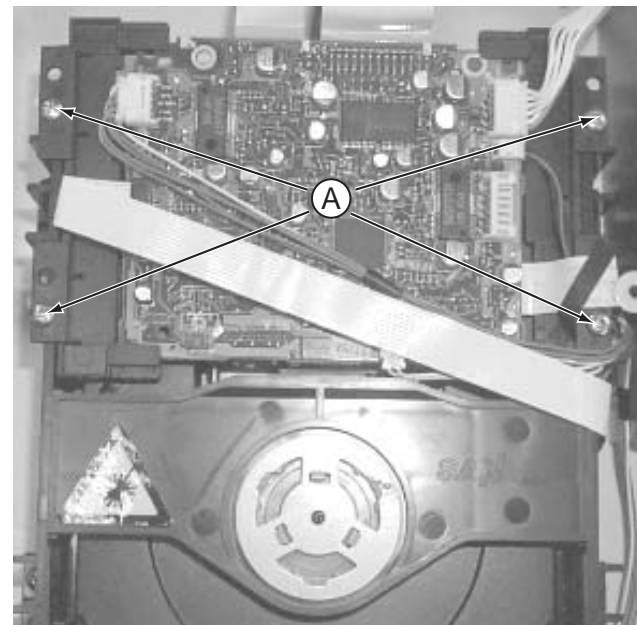


Figure 3

- 2) Return the set to its upright position and remove the Tray Cover as shown in Figure 3 and close the tray manually by pushing it back in.
- 3) Loosen 9 screws and remove the Top Cover by lifting the rear portion upwards before sliding it out towards the rear.
 - 5 screws on the back
 - 2 screws each on the left & right side
- 4) Loosen 7 screws & lift up the top edge of Front Panel assembly to free some catches before sliding it out towards the front.
 - 4 screws on the bottom
 - 1 screw "C" on the inside as indicated in Figure 5.
 - 1 screw each on the left & right side

Dismantling of the Servo Board

1) Loosen 4 screws "A" to remove the Servo Board from the DVD Module as shown in figure 4



Note: Do not lost the limited parts of the Servo board

Figure 4

Dismantling of the Main Board

- 1) Loosen 5 screws "B" on the top of main board as shown in figure 5.
- 2) Loosen 9 screws "D" at the back panel as shown in figure 6.
- 3) Remove all connectors on the RGBScart and main board.

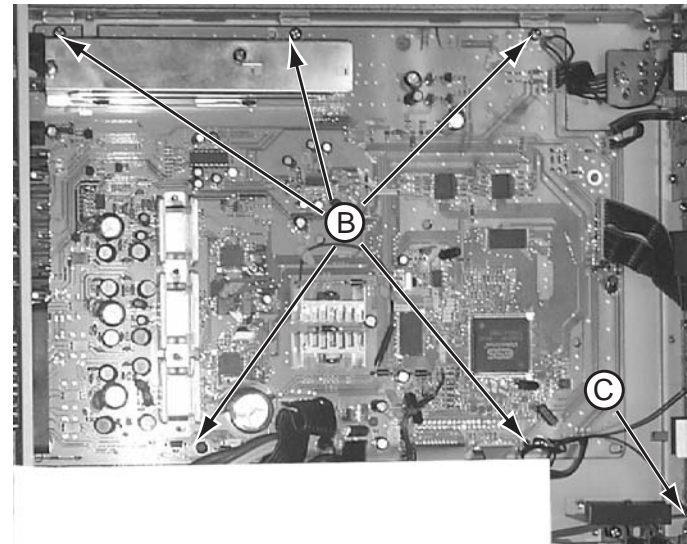


Figure 5

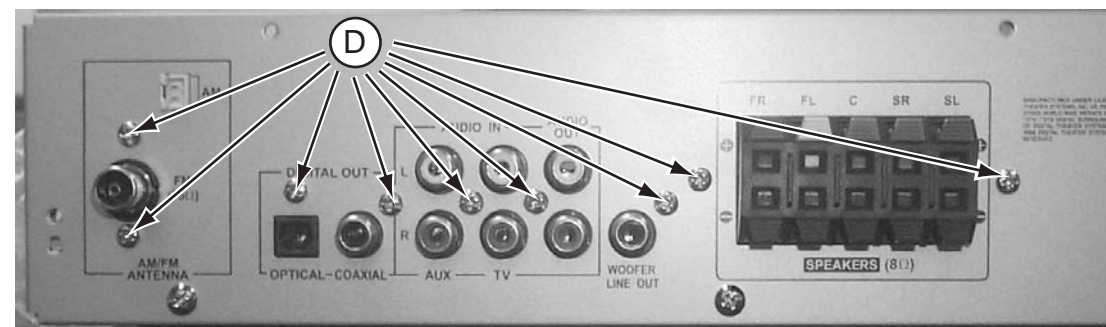


Figure 6

Dismantling of the Tuner Board

- 1) Loosen 4 screws "E" on the bottom cover as shown in figure 7.
- 3) Loosen 4 screws "F" at the top of the Power Board as shown in figure 8

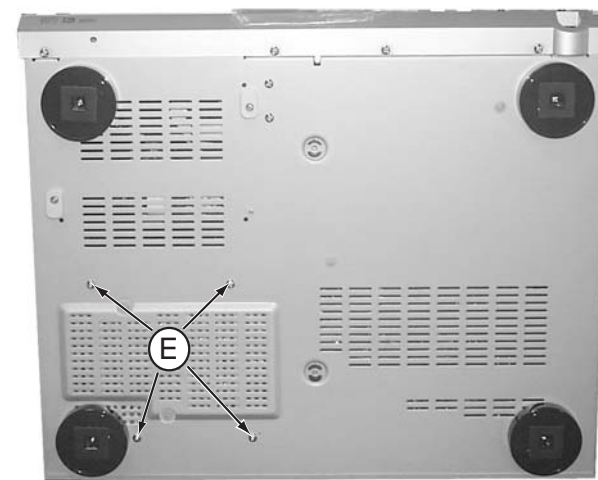


Figure 7

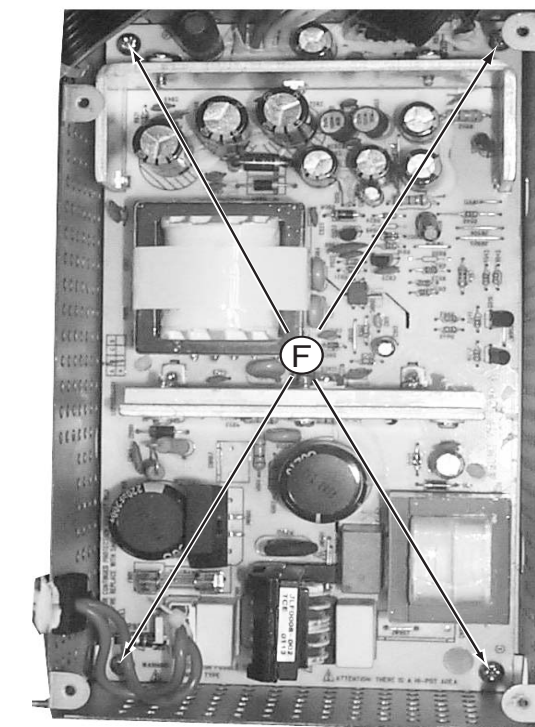


Figure 8

Dismantling of the Tuner PCB

- 1) Loosen 1 screw "G" and 3 solder points "H" to remove the shield cover.
- 2) With the Main Board already dismantle, remove the Tuner board / shield bracket assembly by unsolder the wire connector and 6 points "H".
- 3) Separate the Tuner board by unsoldering 4 points "J".

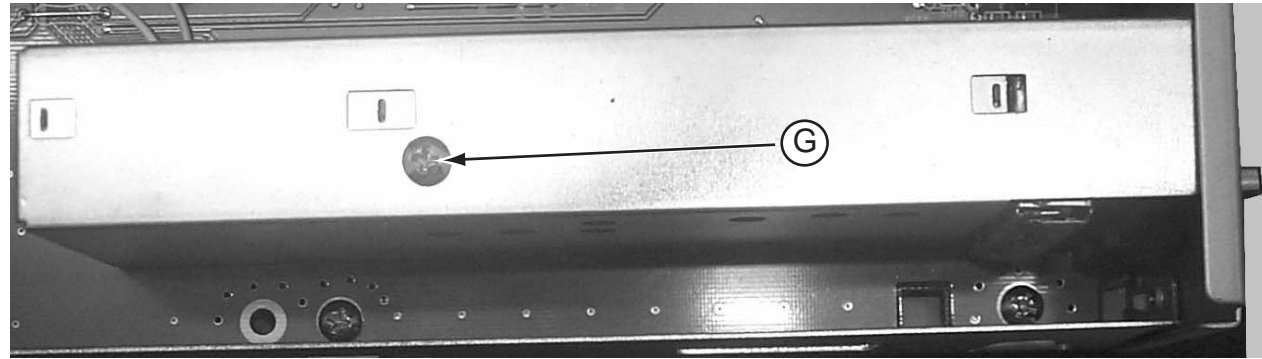


Figure 9

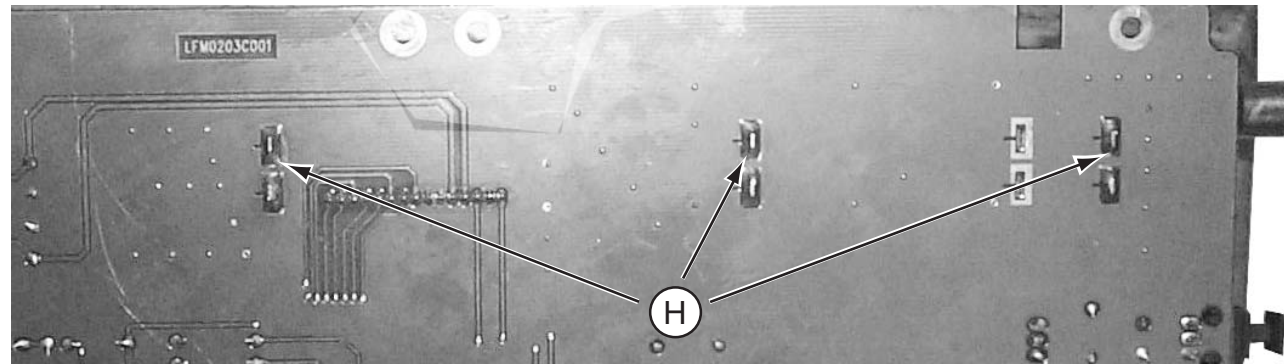


Figure 10

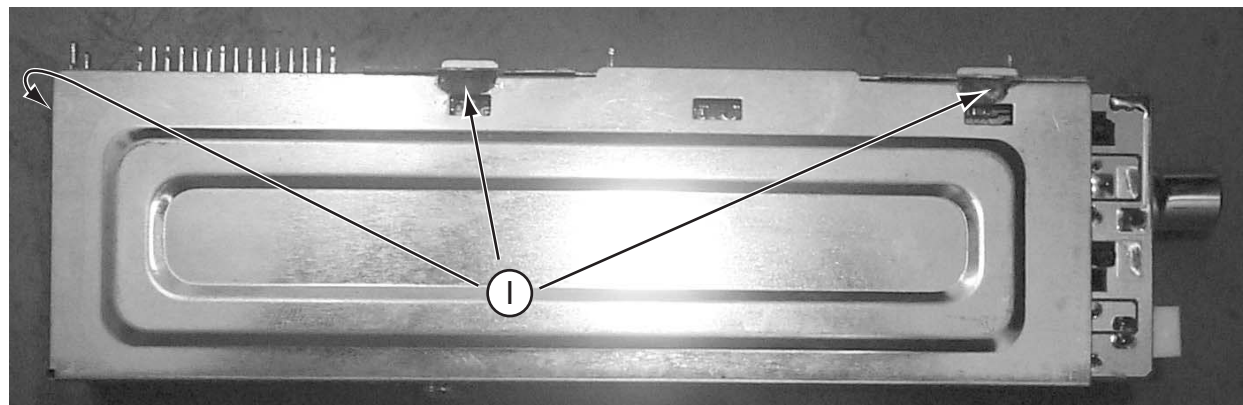


Figure 11

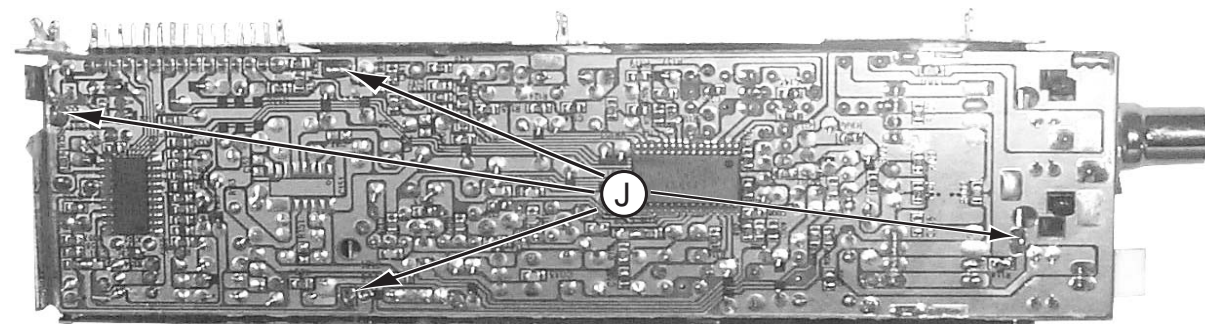
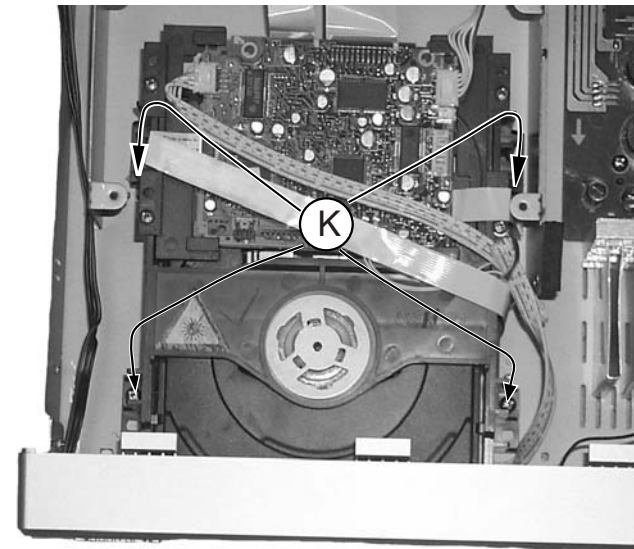


Figure 12

SERVICE POSITIONS

Service position A

Loosen 4 screws "K" to remove the DVD module as shown below

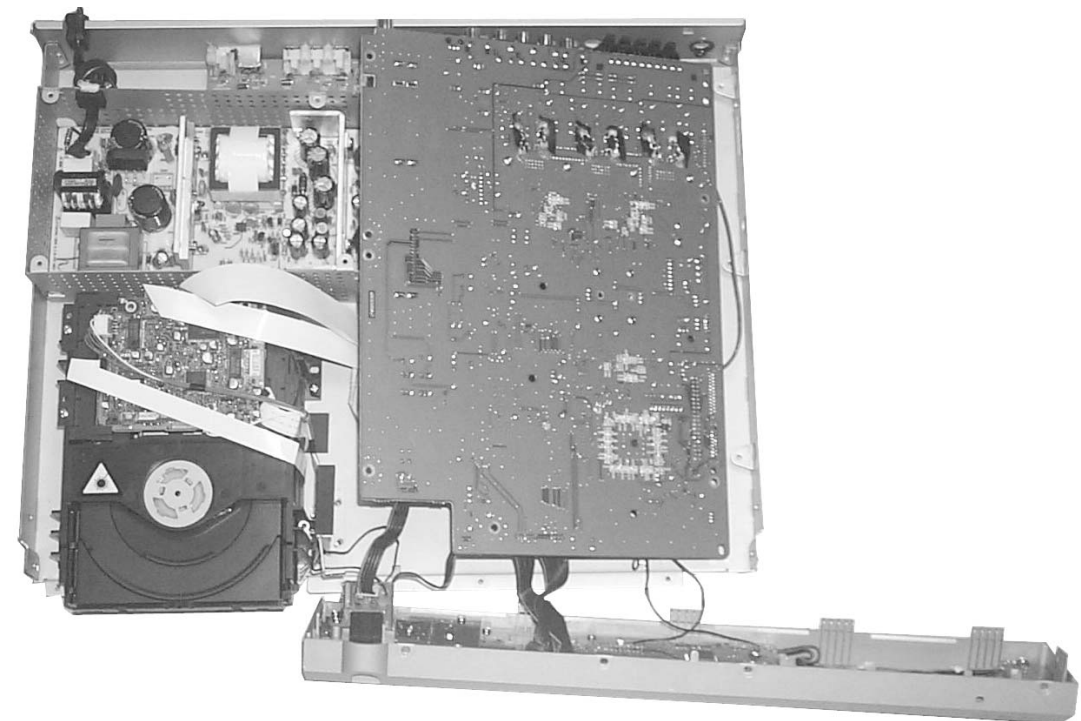


Service position B

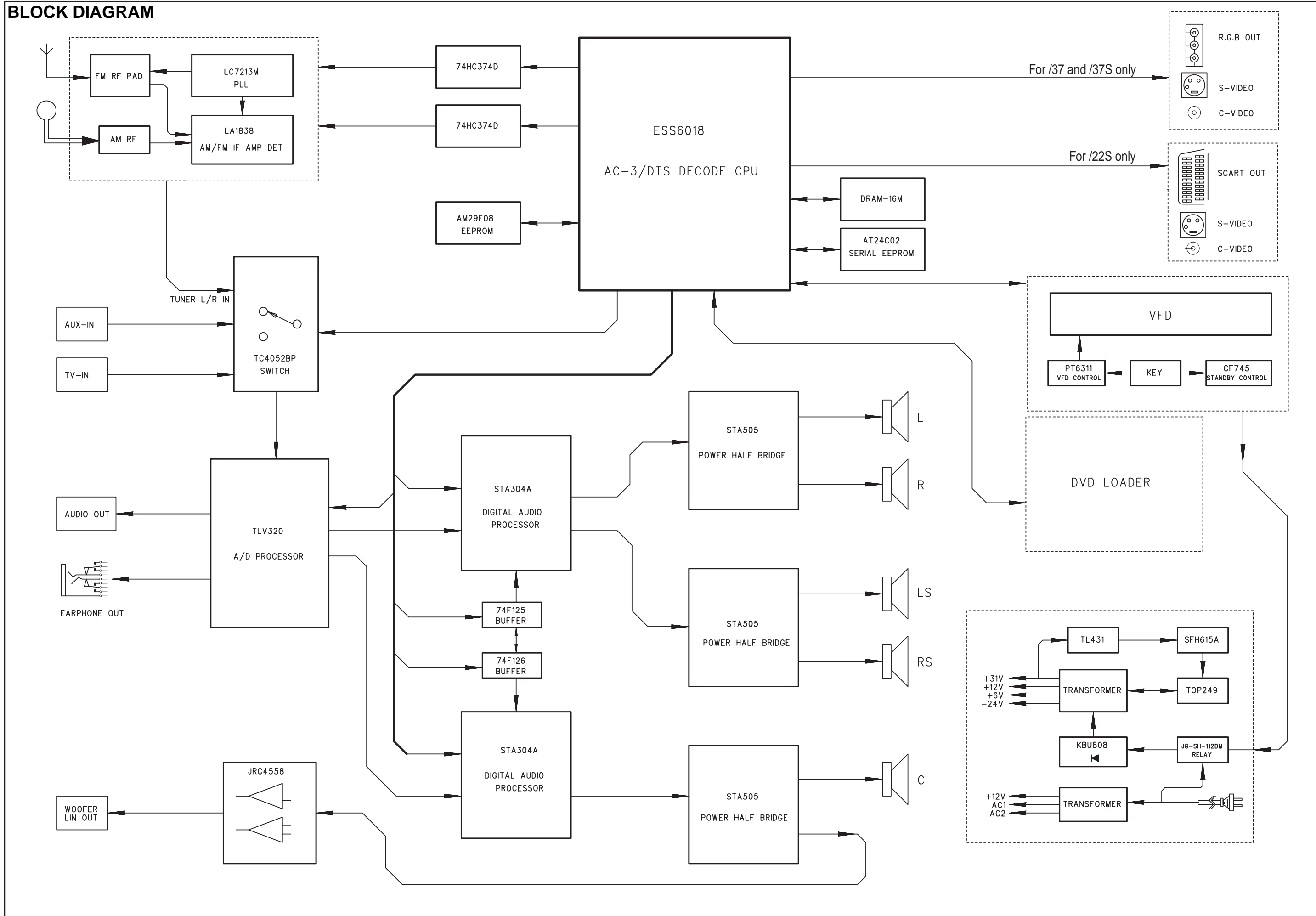
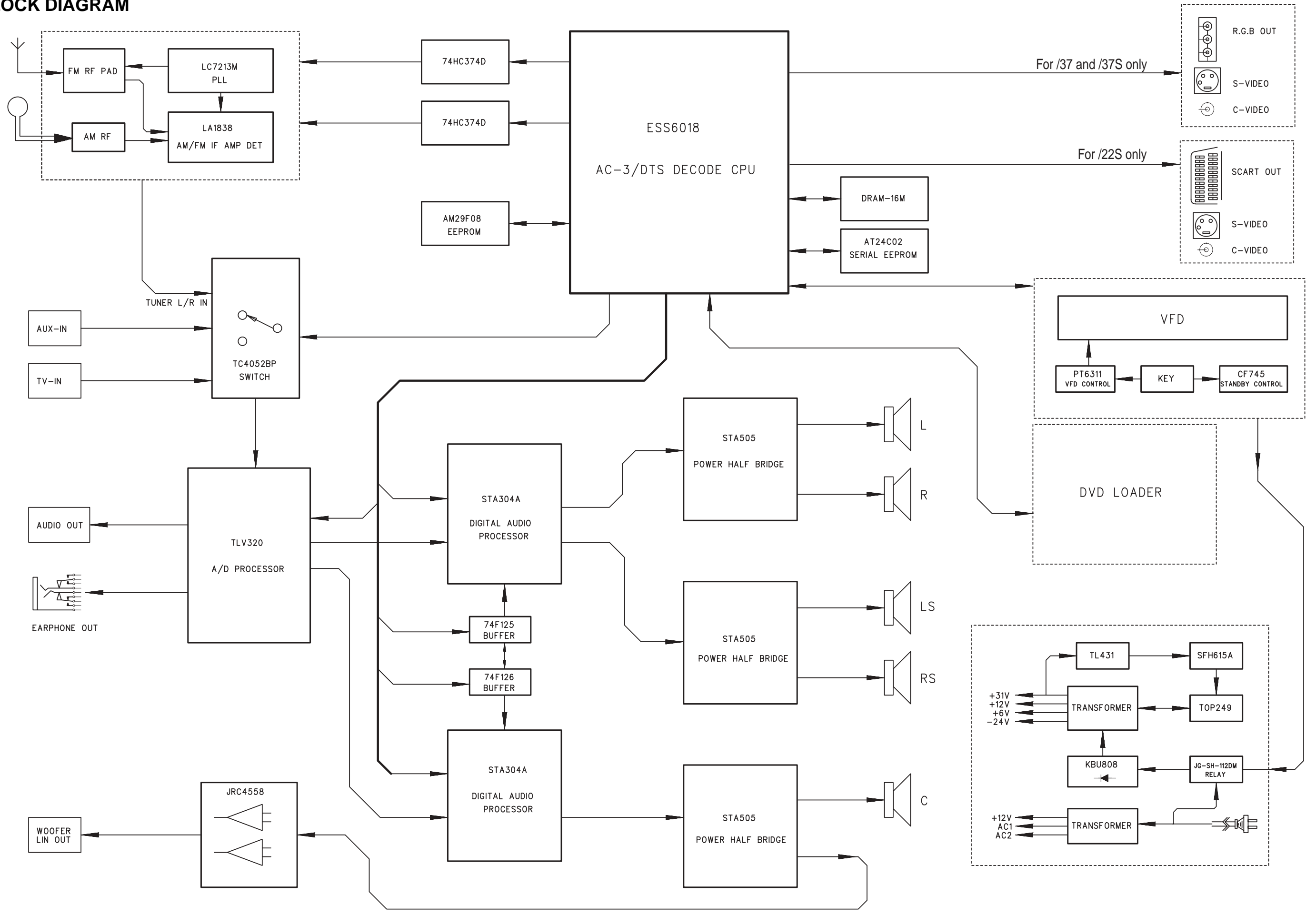


Note: In some service positions the components or copper patterns of one board may risk touching its neighbouring pc boards or metallic parts. To prevent such short-circuit use a piece of hard paper or other insulating material between them.

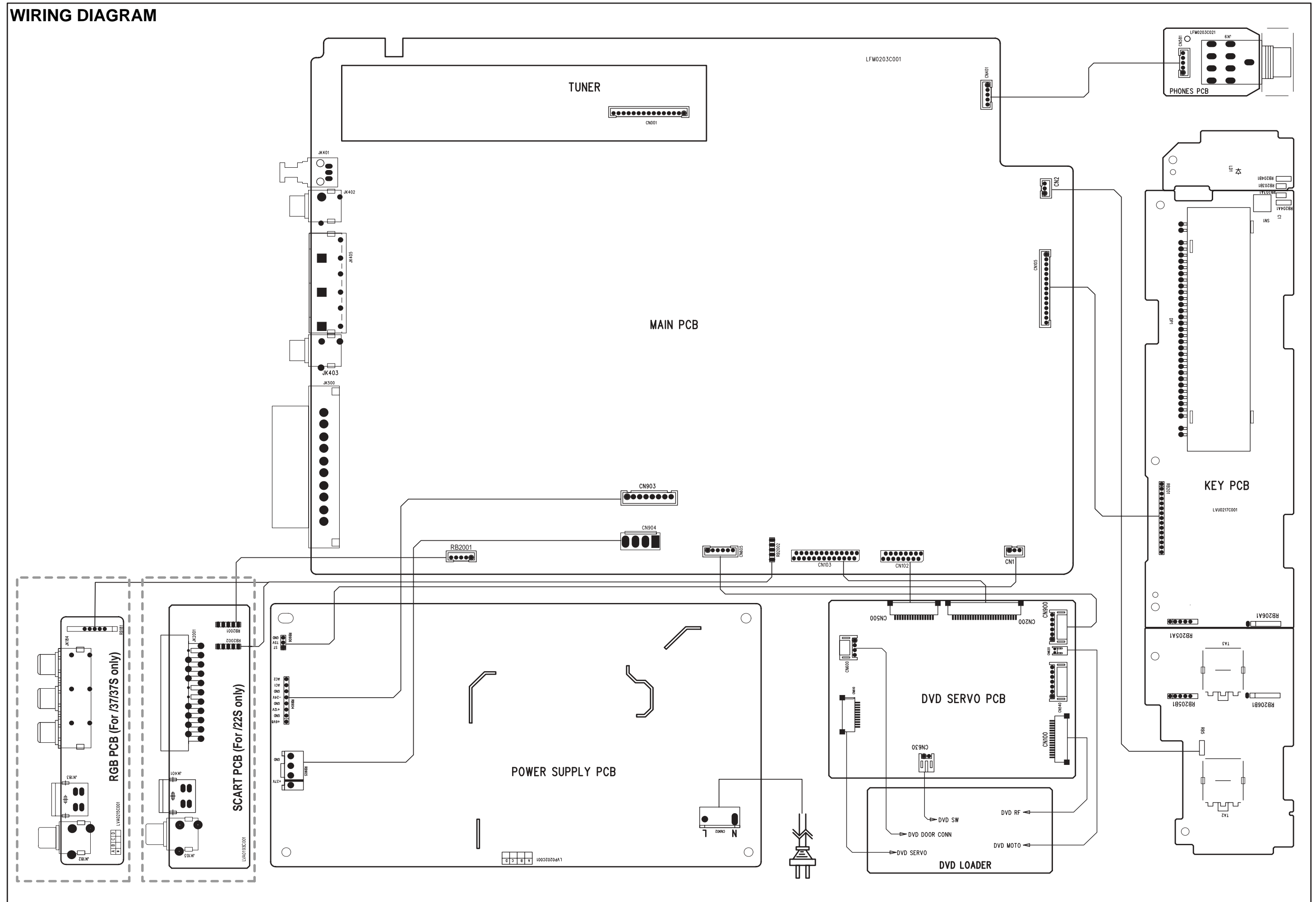
Service position C



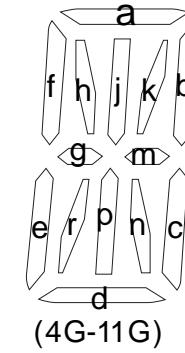
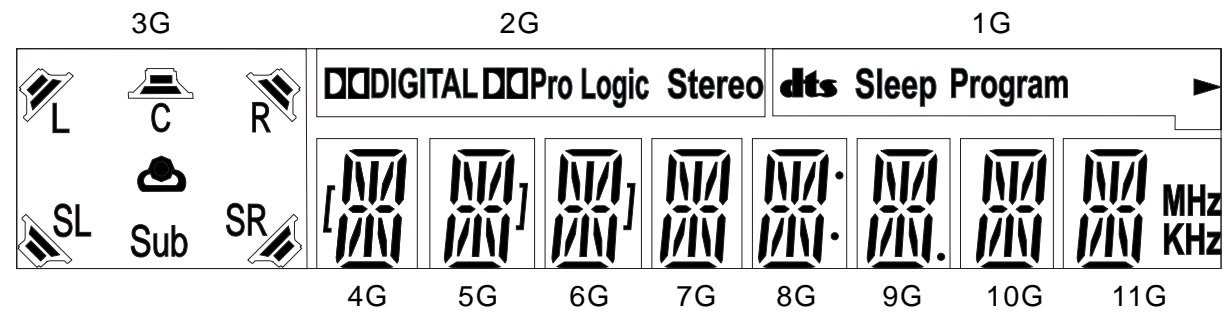
BLOCK DIAGRAM



WIRING DIAGRAM



FTD DISPLAY PIN ASSIGNMENT



KEY / VOLUME / LED BOARD

TABLE OF CONTENTS

- FTD Display Pin Assignment 5-1
- Pin Connection 5-1
- IC Internal Block Diagram 5-2
- Circuit Diagram 5-3
- PCB Layout Top View 5-4
- PCB Layout Bottom View 5-4
- Electrical Parts List 5-5

	1G	2G	3G	4G	5G	6G	7G	8G	9G	10G	11G
P1	Program	DIGITAL	R	a	a	a	a	a	a	a	a
P2	Sleep	ProLogic	C	b	b	b	b	b	b	b	b
P3	dtS	Stereo	L	h	h	h	h	h	h	h	h
P4				j	j	j	j	j	j	j	j
P5			SL	k	k	k	k	k	k	k	k
P6			Sub	f	f	f	f	f	f	f	f
P7			SR	g	g	g	g	g	g	g	g
P8				m	m	m	m	m	m	m	m
P9	▶			e	e	e	e	e	e	e	e
P10				r	r	r	r	r	r	r	r
P11				p	p	p	p	p	p	p	p
P12				n	n	n	n	n	n	n	n
P13				c	c	c	c	c	c	c	c
P14				d	d	d	d	d	d	d	d
P15				[]]		Col	Dp		MHz
P16											KHz

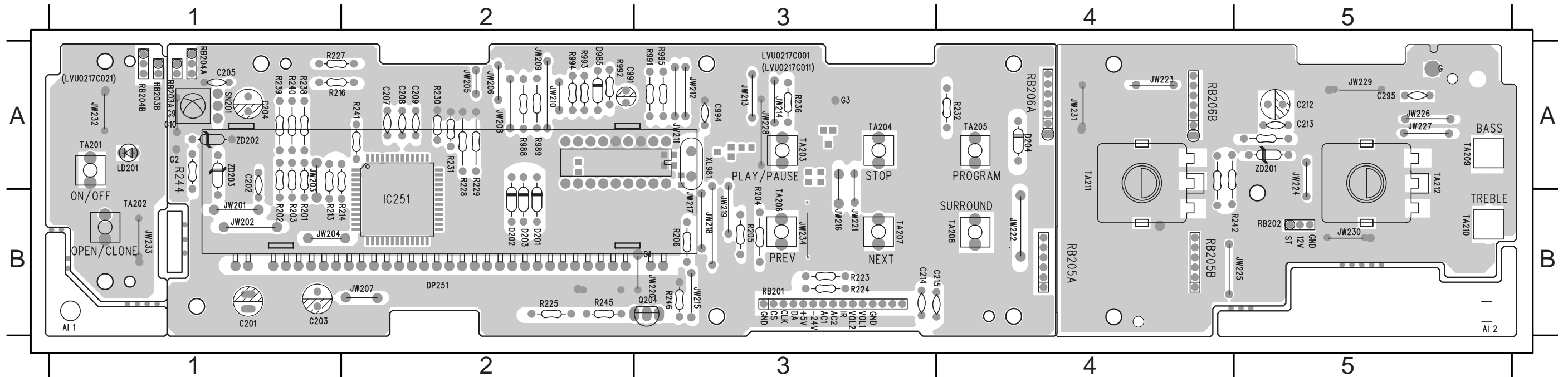
PIN CONNECTION

PIN NO.	1	2	3	4	5	6	7	8	9	10	11	12	13	14	15	16																			
CONNECTION	F	F	N	1	2	3	4	5	6	7	8	9	10	11	N	N	P	P	P	P	P	P	P	P	P	P	P	P	P	P	P	P	N	F	F
	1	2	P	G	G	G	G	G	G	G	G	G	G	G	C	C	1	2	3	4	5	6	7	8	9	10	11	12	13	14	15	16	P	2	2

- ## Note ##
- 1. Fn: Filament pin
 - 2. nG : Grid pin
 - 3. Pn : Anode pin
 - 4. NP : No Pin
 - 5. NC : No Connection pin

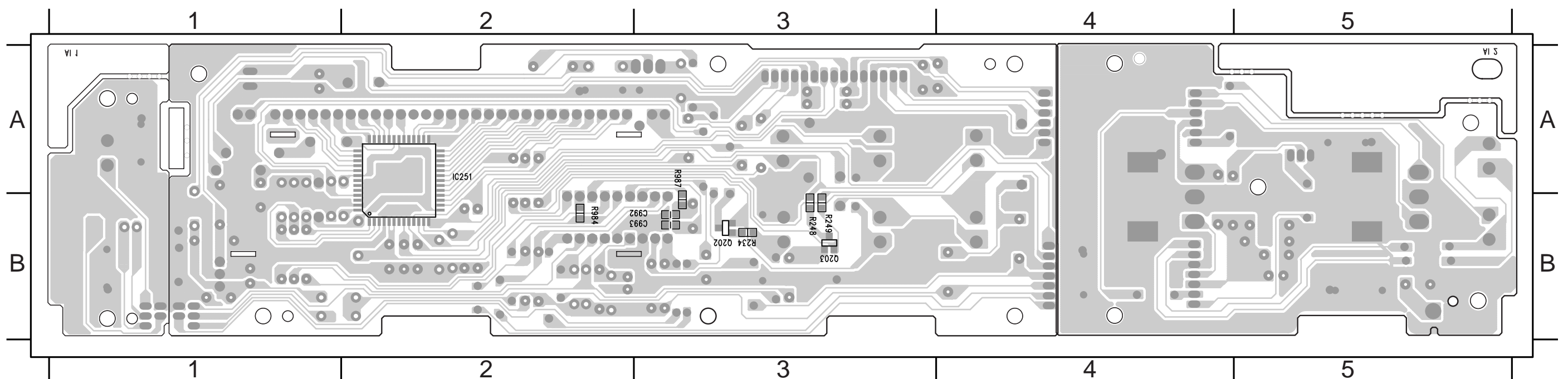
PCB LAYOUT TOP VIEW

C201 B1	C213 A5	D985 A2	JW207 B2	JW216 A3	JW225 B5	JW234 A3	R214 B2	R231 A2	R245 B2	RB201 A3	RB206B A4	TA208 A4
C202 A1	C214 A3	DP251 B2	JW208 A2	JW217 B3	JW226 A5	Q204 B3	R216 A1	R232 A4	R246 B3	RB202 B5	SN201 A1	TA209 A5
C203 B1	C215 A4	LD201 A1	JW209 A2	JW218 B3	JW227 A5	R201 A1	R223 A3	R236 A3	R988 A2	RB204B A1	TA201 A1	TA210 B5
C204 A1	C295 A5	JW201 B1	JW210 A2	JW219 B3	JW228 A3	R202 A1	R224 A3	R238 A1	R989 A2	RB203B A1	TA202 B1	TA211 A4
C205 A1	C994 A3	JW202 B1	JW211 A3	JW220 B3	JW229 A5	R203 A1	R225 B2	R239 A1	R991 A3	RB203A A1	TA203 A3	TA212 A5
C207 A2	D201 B2	JW203 A1	JW212 A3	JW221 A3	JW230 B5	R204 B3	R227 A1	R240 A1	R992 A2	RB204A A1	TA204 A3	XL981 A3
C208 A2	D202 B2	JW204 B1	JW213 A3	JW222 A4	JW231 A4	R205 B3	R228 A2	R241 A2	R993 A2	RB205A A4	TA205 A4	ZD201 A5
C209 A2	D203 B2	JW205 A2	JW214 A3	JW223 A4	JW232 A1	R206 B3	R229 A2	R242 A5	R994 A2	RB205B A4	TA206 A3	ZD202 A1
C212 A5	D204 A4	JW206 A2	JW215 B3	JW224 A5	JW233 B1	R213 A1	R230 A2	R244 A1	R995 A3	RB206A A4	TA207 A3	ZD203 A1



PCB LAYOUT BOTTOM VIEW

C992 B3	Q202 B3	Q203 A3	R248 A3	R984 B2
C993 B3	IC251 A2	R234 B3	R249 A3	R987 B3



ELECTRICAL PARTS LIST - KEY, VOLUME & LED BOARDS**MISCELLANEOUS**

SN201	9965 000 13071	IRT SENSOR IRM-2038F4 W/GND
TA201	4822 276 13648	TACT SWITCH
TA202	4822 276 13648	TACT SWITCH
TA203	4822 276 13648	TACT SWITCH
TA204	4822 276 13648	TACT SWITCH
TA205	4822 276 13648	TACT SWITCH
TA206	4822 276 13648	TACT SWITCH
TA207	4822 276 13648	TACT SWITCH
TA208	4822 276 13648	TACT SWITCH
TA209	4822 276 13648	TACT SWITCH
TA210	4822 276 13648	TACT SWITCH
TA211	9965 000 12539	ROTARY ENCODER EC16B24-204
TA212	9965 000 12539	ROTARY ENCODER EC16B24-204
XL981	9965 000 12540	CRYSTAL 4,00MHZ

CAPACITORS

C201	9965 000 14169	100uF 10V 20%
C202	4822 122 30103	22nF 80% 63V
C203	9965 000 12543	100uF 25V 20%
C204	9965 000 14169	100uF 10V 20%
C205	2038 554 00065	100nF +80/-20% Y5V 50V
C207	9965 000 12545	15pF 50V 5%
C208	9965 000 12545	15pF 50V 5%
C209	9965 000 12545	15pF 50V 5%
C212	9965 000 14169	100uF 10V 20%
C213	4822 122 30103	22nF 80% 63V
C214	9965 000 14171	27pF 50V 5%
C215	9965 000 14171	27pF 50V 5%
C295	5322 122 32331	1nF 10% 100V
C991	9965 000 12474	10uF /16V 20%
C992	9965 000 14150	15pF 50V 5%
C993	9965 000 14150	15pF 50V 5%
C994	9965 000 14172	47pF 50V 5%

RESISTORS

R201	4822 050 21003	10K 1% 0,6W
R202	4822 050 21003	10K 1% 0,6W
R203	4822 050 21003	10K 1% 0,6W
R204	4822 050 21001	100R 1% 0,6W
R205	4822 050 21001	100R 1% 0,6W
R206	4822 050 21001	100R 1% 0,6W
R213	9965 000 09725	4,7K 1/6W 5% CF
R214	9965 000 09727	56K 1/6W 5% CF
R216	4822 050 21001	100R 1% 0,6W
R223	4822 050 21003	10K 1% 0,6W
R224	4822 050 21003	10K 1% 0,6W
R225	9965 000 12549	220R 1/6W 5% CF
R227	4822 050 23302	3,3K 1% 0,6W
R228	4822 050 21003	10K 1% 0,6W
R229	4822 050 21003	10K 1% 0,6W
R230	4822 050 21003	10K 1% 0,6W
R231	4822 050 21003	10K 1% 0,6W

R232	4822 050 21003	10K 1% 0,6W
R234	4822 051 20223	22K 5% 0,1W
R236	4822 050 22203	22K 1% 0,6W
R238	9965 000 12515	2,2K 1/6W 5% CF
R239	9965 000 12515	2,2K 1/6W 5% CF
R240	9965 000 12515	2,2K 1/6W 5% CF
R241	4822 050 21003	10K 1% 0,6W
R242	4822 050 21502	1,5K 1% 0,6W
R244	9965 000 12630	1,2K 1/6W 5%
R245	4822 050 24703	47K 1% 0,6W
R246	4822 050 21003	10K 1% 0,6W
R248	4822 051 20008	OR JUMPER 0805
R249	4822 051 20008	OR JUMPER 0805
R250	4822 117 10837	100K 1% 0,1W
R251	4822 117 10837	100K 1% 0,1W
R984	9965 000 12484	10K 1/10W 5%
R987	4822 050 21001	100R 1% 0,6W
R988	4822 050 23302	3,3K 1% 0,6W
R989	4822 050 21003	10K 1% 0,6W
R991	4822 050 21003	10K 1% 0,6W
R992	4822 050 21003	10K 1% 0,6W
R993	4822 050 21003	10K 1% 0,6W
R994	4822 050 21003	10K 1% 0,6W
R995	4822 050 21003	10K 1% 0,6W

DIODES

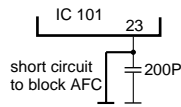
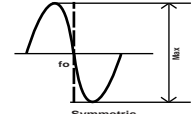
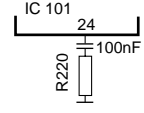
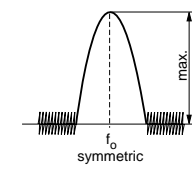

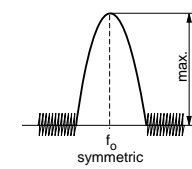
D201	4822 130 30621	1N4148
D202	4822 130 30621	1N4148
D203	4822 130 30621	1N4148
D204	4822 130 30621	1N4148
D985	4822 130 30621	1N4148
DP251	9965 000 12538	VFD DISPLAY
LD201	9965 000 14174	LED 3DIA RED HI-LIGHT
ZD201	4822 130 34233	BZX79-B5V1
ZD202	4822 130 34233	BZX79-B5V1
ZD203	4822 130 34233	BZX79-B5V1

TRANSISTORS & INTEGRATED CIRCUITS

IC251	9965 000 12550	PT6311(PTC)
IC981	9965 000 14173	CF745 for MX36.., MX37.., & MX38..
Q202	9965 000 14175	2SA733Q,P
Q203	9965 000 14175	2SA733Q,P
Q204	4822 130 41198	2SC945P

Note: Only the parts mentioned in this list are normal service spare parts.

TUNER ADJUSTMENT TABLE

Waverange	Input frequency	Input	Tuned to	Adjust	Output	Scope/Voltmeter
<i>VARICAP ALIGNMENT</i>						
FM 87.5 - 108MHz (50kHz grid)			108MHz	5130	1	6.5V ± 0.2V
			87.5MHz	check		1.5V ± 0.5V
AM 531 - 1602kHz (9kHz grid) (22S / 30S / 21R / 21H)			1602kHz	TC002		7.8V ± 0.2V
			531kHz	T003		1.1V ± 0.2V
AM 530-1700kHz (10kHz grid) (21L / 21L / 37S)			1700kHz	TC002		8.0V ± 0.2V
			530kHz	T003		1.1V ± 0.2V
<i>FM - IF</i>						
FM	10.7MHz, 50mV continuous wave	F		T105	2	
<i>FM - RF</i>						
FM	108MHz ----- 87.5MHz	A mod=1kHz Δf=±2.5kHz	108MHz ----- 87.5MHz			MAX
<i>AM IF</i>						
AM	450kHz	C Δf = ±5kHz V _{RF} = 3mV		T102	4	
AM AFC MW	Connect pin 29 of IC 101 (AM Osc.) with short wire to ground (pin 28)					
<i>AM RF 3)</i>						
MW	1557kHz	B 	1557kHz	TC001	4	
	576kHz		576kHz	T002		
MW	1650kHz	Δf = ±30kHz V _{RF} as low as possible	1650kHz	TC001		
	580kHz		580kHz	T002		

TUNER BOARD

TABLE OF CONTENTS

Tuner Adjustment Table 6-1
 Block Diagram 6-2
 Circuit Diagram 6-3
 PCB Layout Top View 6-4
 PCB Layout Bottom View 6-5
 Electrical Parts List 6-6

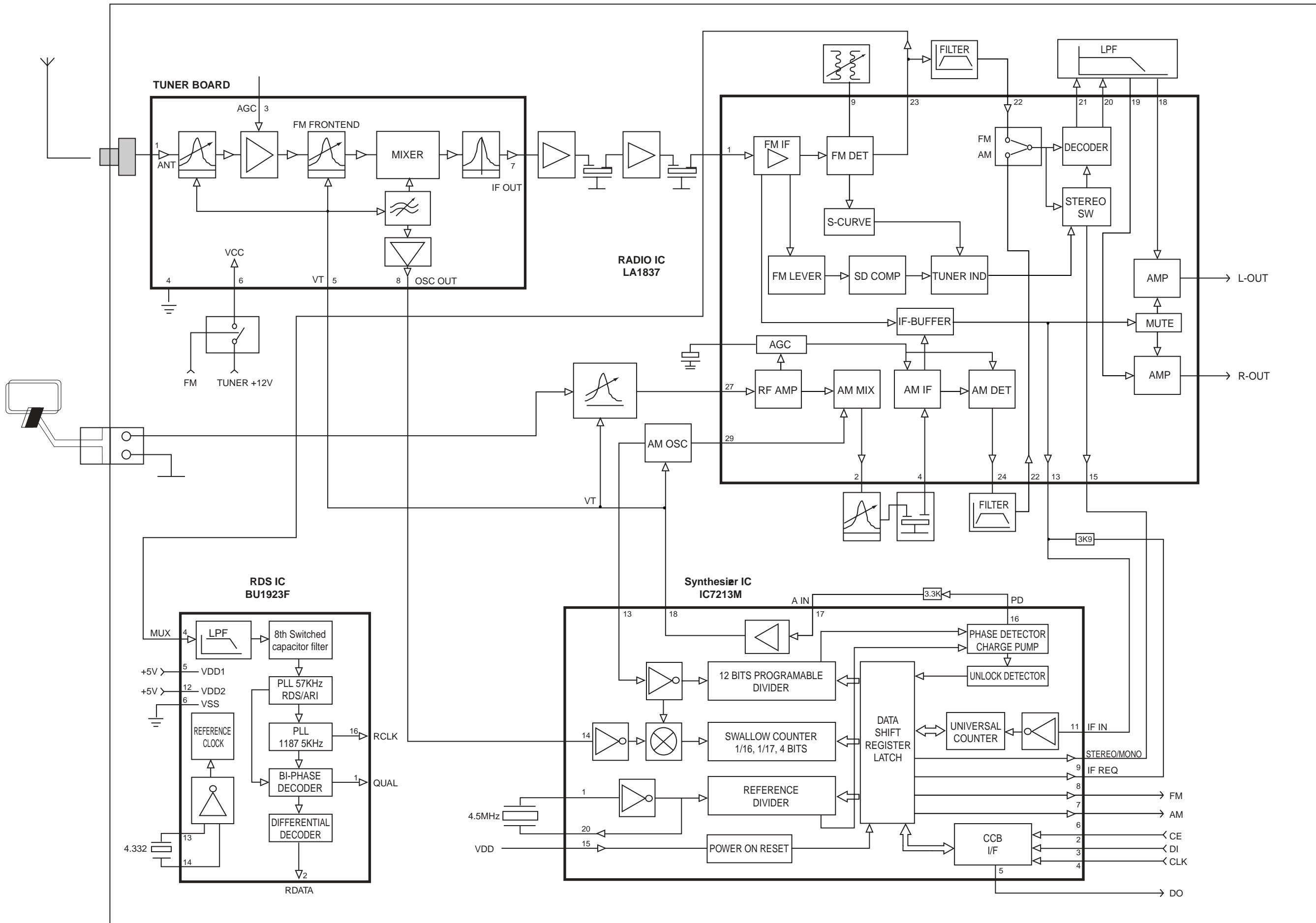
Use Service Testprogram. By selecting the TUNER TEST test frequencies will be stored as preset frequencies automatically.

1) If sensitivity of frequency counter is too low adjust to max. channel separation (input signal: stereo left 90% + 9%, adjust output on right channel to minimum)

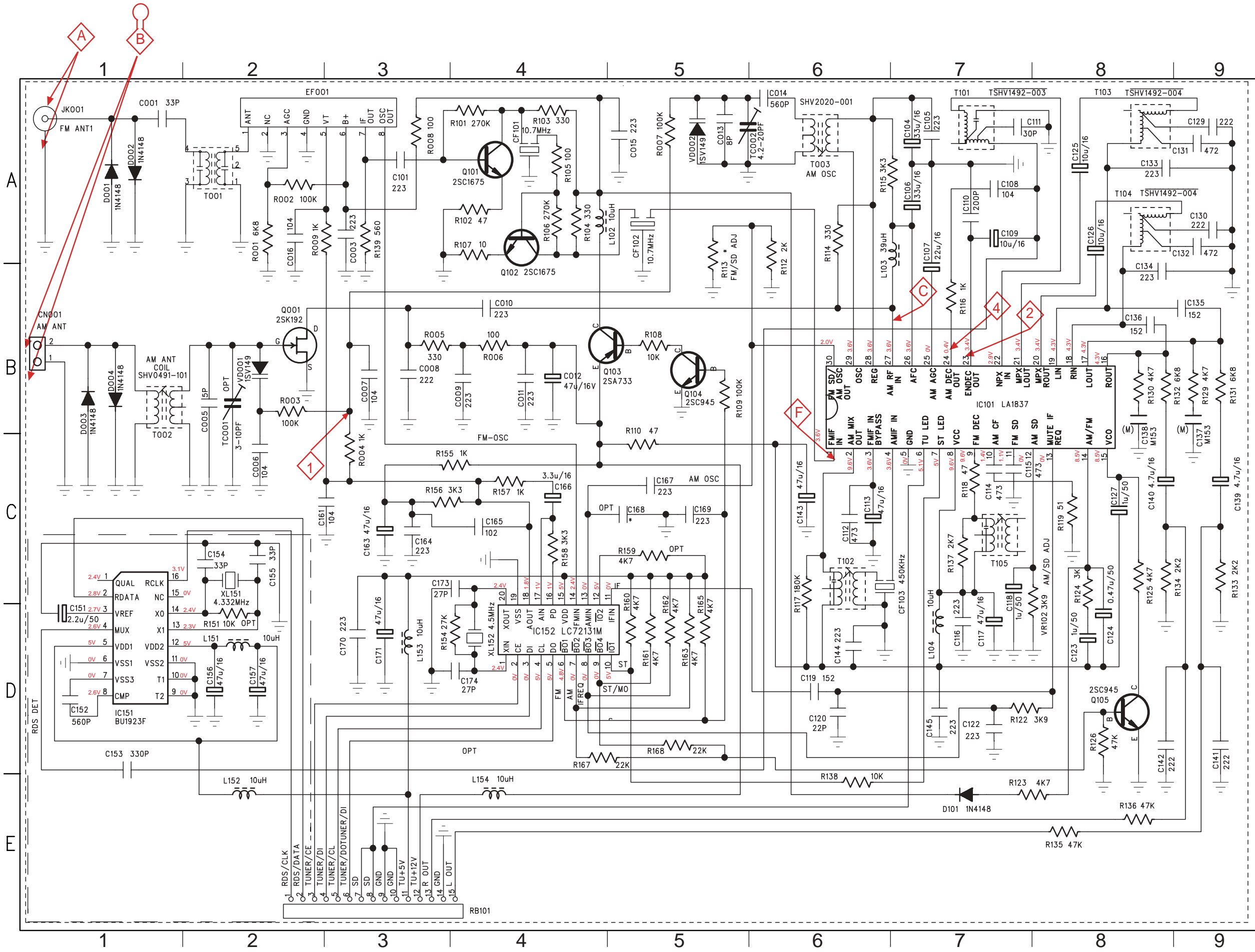
2) RC network serves for damping the IF-filter while adjusting the other one.

3) For AM RF adjustments the original frame antenna has to be used!

BLOCK DIAGRAM



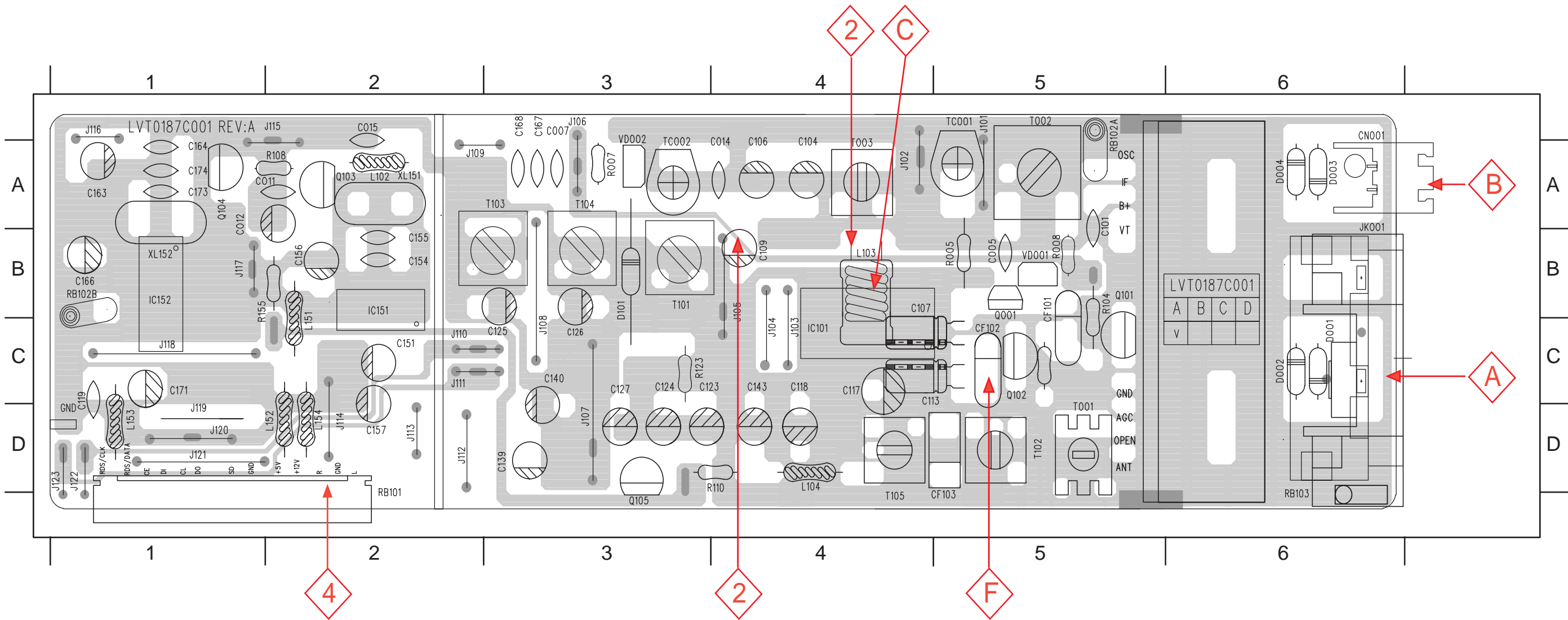
CIRCUIT DIAGRAM



C001	A1	JK001	A1
C003	A3	L102	A5
C005	A2	L103	B7
C006	C2	L104	D7
C007	C3	L151	D2
C008	B3	L152	E2
C009	B4	L153	D3
C010	B4	L154	E4
C011	B4	Q101	A4
C012	B4	Q102	B4
C013	A4	Q103	B5
C014	A6	Q104	B5
C015	A5	Q105	D8
C016	A2	Q001	B2
C101	A3	R001	B2
C104	A7	R002	A2
C105	A7	R003	C3
C106	A7	R004	C3
C107	B7	R005	B3
C108	A8	R006	B4
C109	A8	R007	A5
C110	A7	R008	A3
C111	A7	R009	A3
C112	C6	R101	A4
C113	C6	R102	A4
C114	C7	R103	A4
C115	C7	R104	A4
C116	D7	R105	A4
C117	D7	R106	A4
C118	C7	R107	B4
C119	D9	R108	B5
C120	D6	R109	B5
C122	D7	R110	C5
C123	D8	R112	A3
C124	D8	R113	B6
C125	A8	R114	B6
C126	A8	R115	A7
C127	C8	R116	B7
C129	A9	R117	D6
C130	A9	R118	C7
C131	A9	R119	C8
C132	A9	R122	D7
C133	A9	R123	E7
C134	B8	R124	D8
C135	B5	R125	D8
C136	B8	R126	E8
C137	C9	R129	B9
C138	C8	R130	B8
C139	C9	R131	B9
C140	C9	R132	B9
C141	D9	R133	D9
C142	E9	R134	C9
C143	C6	R135	E8
C144	D6	R136	E8
C145	D7	R137	C7
C151	D1	R138	E6
C152	D1	R151	D2
C153	E1	R154	D4
C154	C2	R155	C4
C155	C2	R156	C3
C156	D2	R157	C4
C157	D2	R158	C4
C161	C3	R159	C5
C163	C3	R160	D5
C164	C3	R161	D5
C165	C4	R162	D5
C166	C4	R163	D5
C167	C5	R165	D5
C168	C5	R167	E4
C169	C5	R168	E5
C170	D3	RB101	E3
C171	D3	T101	A7
C173	D4	T102	D6
C174	D4	T103	A9
CF101	A4	T104	A9
CF102	A5	T105	C7
CF103	D7	TC001	B2
CN001	B1	TC002	A6
D101	E7	T001	A2
D001	A1	T002	C2
D002	A1	T003	A6
D003	B1	VD001	B2
D004	B1	VD002	A5
EF001	A2	VR101	B5
IC101	C7	VR102	D8
IC151	D1	XL151	D2
IC152	D4	XL152	D4

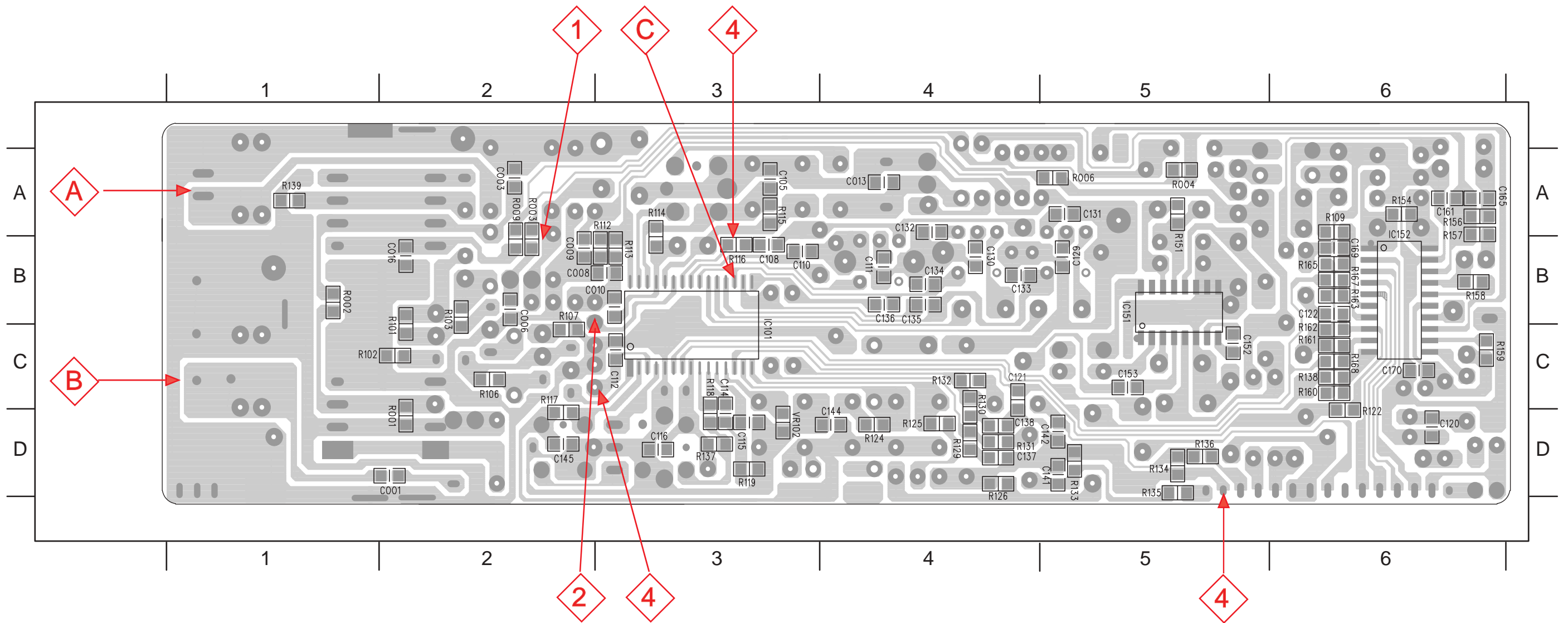
PCB LAYOUT TOP VIEW

C005	B5	C106	A4	C124	D3	C153	C2	C167	A3	CN001	A6	J103	C4	J111	C2	J119	D1	L104	D4	Q101	B5	R108	A2	T002	A5	TC002	A3
C007	A3	C107	C4	C125	C3	C154	B2	C168	A3	D001	C6	J104	C4	J112	D2	J120	D1	L151	C2	Q102	C5	R110	D4	T003	A4	VD001	B5
C011	A2	C109	B4	C126	C3	C155	B2	C171	C1	D002	C6	J105	B4	J113	D2	J121	D1	L152	D2	Q103	A2	R123	C3	T101	B3	VD002	A3
C012	B1	C113	C4	C127	D3	C156	B2	C173	A1	D003	A6	J106	A3	J114	D2	J122	D1	L153	D1	R005	B4	R155	B2	T102	D5	XL151	A2
C014	A4	C117	C4	C139	D3	C157	D2	C174	A1	D004	A6	J107	D3	J115	A2	J123	D1	L154	D2	R007	A3	RB103	D6	T103	A3	XL152	B1
C015	A2	C118	D4	C140	C3	C163	A1	CF101	C5	D101	B3	J108	C3	J116	A1	JK001	B6	Q001	B5	R008	B5	RB101	D2	T104	A3		
C101	A5	C119	C1	C143	D4	C164	A1	CF102	C5	J101	A5	J109	A2	J117	B1	L102	A2	Q104	A1	R104	B5	RB102A	A5	T105	D4		
C104	A4	C123	D3	C151	C2	C166	B1	CF103	D5	J102	A4	J110	C2	J118	C1	L103	B4	Q105	D3	R105	C5	T001	D5	TC001	A5		



PCB LAYOUT BOTTOM VIEW

C001 D2	C105 A3	C120 D6	C134 B4	C145 D2	IC152 A6	R102 C2	R115 A3	R129 D4	R137 D3	R160 C6
C003 A2	C108 B3	C121 C4	C135 B4	C152 C5	R001 D2	R103 B2	R116 B3	R130 C4	R138 C6	R161 C6
C006 B2	C110 B3	C122 B6	C136 B4	C161 A6	R002 B1	R106 C2	R117 C2	R131 D4	R151 A5	R162 C6
C008 B3	C111 B4	C129 B5	C137 D4	C165 A6	R003 A2	R107 C2	R118 C3	R132 C4	R154 A6	R163 B6
C009 B2	C112 C3	C130 B4	C138 D4	C169 B6	R004 A5	R109 A6	R119 D3	R133 D5	R156 A6	R165 B6
C010 B3	C114 C3	C131 A5	C141 D5	C170 C6	R006 A5	R112 B3	R122 D6	R134 D5	R157 B6	R167 B6
C013 A4	C115 D3	C132 A4	C142 D5	IC101 C3	R009 A2	R113 B3	R124 D4	R135 D5	R158 B6	R168 C6
C016 B2	C116 D3	C133 B4	C144 D4	IC151 B5	R101 B2	R114 A3	R126 D4	R136 D5	R159 C6	VR102 D3



ELECTRICAL PARTS LIST - TUNER BOARD

MISCELLANEOUS

CN001	9965 000 12565	CONNECTOR 2PIN, AM ANTENNA
EF001	9965 000 14228	FRONTEND KST-F404VA2FM /22S
EF001	9965 000 12566	FRONTEND FTE3-500H /37/37S
JK001	9965 000 12567	FM ANTENNA SOCKET
XL151	9965 000 14229	CRYSTAL 4,332MHZ /22S
XL152	9965 000 14129	CRYSTAL 4,5MHZ HC-49/U

CAPACITORS

C001	2238 861 18339	33PF 1% 50V 0805
C003	9965 000 12573	0,022UF 50V 20%
C005	9965 000 12574	5PF 50V +/-0,5PF
C006	4822 126 14585	100NF 10% X7R 0805 50V
C007	2038 554 00065	100NF +80-20% Y5V 50V
C008	9965 000 12585	0,022UF 50V 10%
C009	9965 000 12573	0,022UF 50V 20%
C010	9965 000 12573	0,022UF 50V 20%
C011	4822 122 30103	22NF 80% 63V
C012	9965 000 12575	47UF 16V 20%
C013	9965 000 13454	8PF 50V 5%
C014	9965 000 12577	560PF 50V 5%
C015	4822 122 30103	22NF 80% 63V
C016	4822 126 14585	100NF 10% X7R 0805 50V
C101	4822 122 30103	22NF 80% 63V
C104	9965 000 13074	33UF 100V 20%
C105	9965 000 12573	0,022UF 50V 20%
C106	9965 000 13074	33UF 100V 20%
C107	9965 000 13075	22UF 16V 20%
C108	4822 126 14585	0,1UF 50V 10%
C109	9965 000 12580	10UF 16V 20%
C110	9965 000 12581	200PF 50V 5%
C111	9965 000 12582	30PF 50V 5%
C112	9965 000 12524	0,047UF 50V 20%
C113	9965 000 13076	47UF 16V 20%
C114	9965 000 12524	0,047UF 50V 20%
C115	9965 000 12524	0,047UF 50V 20%
C116	9965 000 12573	0,022UF 50V 20%
C117	9965 000 13076	47UF 16V 20%
C118	9965 000 12583	1UF 50V 20%
C119	9965 000 13077	1500PF 50V 10%
C120	5322 122 32658	22PF 5% 50V
C122	9965 000 12573	0,022UF 50V 20%
C123	9965 000 12583	1UF 50V 20%
C124	9965 000 12584	0,47UF 50V 20%
C125	9965 000 12580	10UF 16V 20%
C126	9965 000 12580	10UF 16V 20%
C127	9965 000 12583	1UF 50V 20%
C129	9965 000 12585	0,0022UF 50V 10%
C130	9965 000 12585	0,0022UF 50V 10%
C131	5322 126 10223	4,7NF 10% X7R 63V
C132	5322 126 10223	4,7NF 10% X7R 63V
C133	9965 000 12573	0,022UF 50V 20%
C134	9965 000 12573	0,022UF 50V 20%

C135	4822 126 13344	1,5NF 5% 63V
C136	4822 126 13344	1,5NF 5% 63V
C137	4822 126 13188	15NF 5% X7R 63V
C138	4822 126 13188	15NF 5% X7R 63V
C139	9965 000 12586	4,7UF 16V 20%
C140	9965 000 12586	4,7UF 16V 20%
C141	9965 000 12585	0,0022UF 10% 50V
C142	9965 000 14124	0,0022UF 10% 50V
C143	9965 000 14125	47UF 16V 20%
C144	9965 000 12573	0,022UF 50V 20%
C145	9965 000 12573	0,022UF 50V 20%
C151	9965 000 14227	2,2UF 16V 20% /22S
C152	5322 116 80853	560PF 5%NP0 63V /22S
C153	4822 126 13618	330PF 63V 1% /22S
C154	5322 122 32072	33PF 2%NP0 100V /22S
C155	5322 122 32072	33PF 2%NP0 100V /22S
C156	9965 000 12575	47UF 16V 20% /22S
C157	9965 000 12575	47UF 16V 20% /22S
C161	4822 126 14585	100NF 10% X7R 0805 50V
C163	9965 000 12575	47UF 16V 20%
C164	4822 122 30103	22NF 80% 63V
C165	9965 000 12588	1000PF 50V 5%
C166	9965 000 13079	3,3UF 16V 20%
C167	4822 122 30103	22NF 80% 63V
C169	9965 000 12573	0,022UF 50V 20%
C170	9965 000 12573	0,022UF 50V 20%
C171	9965 000 13076	47UF 16V 20%
C173	9965 000 12546	27PF 50V 5%
C174	9965 000 12546	27PF 50V 5%
TC001	4822 125 50692	TRIMMER 3-10PF
TC002	9965 000 14128	TRIMMER 4,2-20PF N450

RESISTORS

R001	9965 000 12591	6,8K 1/10W 5%
R002	4822 117 10837	100K 1% 0,1W
R003	4822 117 10837	100K 1% 0,1W
R004	4822 051 20102	1K 5% 0,1W
R005	9965 000 12592	330R 5% 1/6W
R006	4822 117 11373	100R 1% RC12H 0805
R007	4822 050 21004	100K 1% 0,6W
R008	4822 050 21001	100R 1% 0,6W
R009	4822 051 20102	1K 5% 0,1W
R101	4822 051 20274	270K 1% 0,1W
R102	4822 051 20479	47R 5% 0,1W
R103	4822 117 13577	330R 1% RC12H 0805 1,25W
R104	9965 000 12592	330R 1/6W 5% CF
R105	4822 050 21001	100R 1% 0,6W
R106	4822 051 20274	270K 1% 0,1W
R107	4822 051 20109	10R 5% 0,1W
R108	4822 050 21003	10K 1% 0,6W
R109	4822 117 10837	100K 1% 0,1W
R110	9965 000 12593	47R 1/6W 5% CF

ELECTRICAL PARTS LIST - TUNER BOARD

R112	4822 051 20332	3,3K 5% 0,1W
R114	4822 117 13577	330R 1% RC12H 0805 1,25W
R115	4822 051 20332	3K3 5% 0,1W
R116	4822 051 20102	1K 5% 0,1W
R117	2120 108 92641	180K 1% 0,1W
R118	4822 051 20479	47R 5% 0,1W
R119	4822 051 20519	51R 5% 0,1W
R122	4822 051 20392	3K90 5% 0,1W
R123	9965 000 09725	4,7K 1/6W 5% CF
R124	4822 051 20302	3K 5% 0,1W
R125	4822 051 20102	1K 5% 0,1W
R126	9965 000 12482	47K 1/10W 5%
R129	4822 051 20472	4K7 5% 0,1W
R130	4822 051 20472	4K7 5% 0,1W
R131	9965 000 12591	6,8K 1/10W 5%
R132	9965 000 12591	6,8K 1/10W 5%
R133	4822 117 11449	2K2 5% 0,1W 0805
R134	4822 117 11449	2K2 5% 0,1W 0805
R135	9965 000 12482	47K 1/10W 5%
R136	9965 000 12482	47K 1/10W 5%
R137	4822 117 12955	2K7 5% 1/10W
R138	9965 000 12484	10K 1/10W 5%
R151	4822 051 20105	1M 5% 0,1W /22S
R154	4822 051 20105	1M 5% 0,1W
R155	9965 000 12519	1K 1/6W 5% CF
R156	4822 051 20332	3K3 5% 0,1W
R157	4822 051 20102	1K 5% 0,1W
R158	4822 051 20332	3K3 5% 0,1W
R159	4822 051 20472	4K7 5% 0,1W
R160	4822 051 20472	4K7 5% 0,1W
R161	4822 051 20472	4K7 5% 0,1W
R162	4822 051 20472	4K7 5% 0,1W
R163	4822 051 20472	4K7 5% 0,1W
R165	4822 051 20472	4K7 5% 0,1W
R167	4822 051 20223	22K 5% 0,1W
R168	4822 051 20223	22K 5% 0,1W
VR102	4822 051 20392	3K9 5% 0,1W

COILS & FILTERS

CF101	4822 242 82181	CER FILTER SFE10,7MA /22S
CF101	4822 242 10614	CER FILTER SFE10,7MA /37/37S
CF102	9965 000 12564	CER FILTER 10,7MHZ SFE-10,7MS
CF103	9965 000 13181	CER FILTER 450KHZ SFU450B
L102	9965 000 12568	CHOKE 10UH
L103	9965 000 12569	CHOKE 39 MH
L104	9965 000 12568	CHOKE 10UH
L151	9965 000 12568	CHOKE 10UH /22S
L152	9965 000 12568	CHOKE 10UH /22S
L153	9965 000 12568	CHOKE 10UH
L154	9965 000 12568	CHOKE 10UH
T001	9965 000 12597	OSC FM S-8N
T002	4822 157 71813	ANT OSC AM

T003	9965 000 13081	OSC AM 108UH
T101	9965 000 12599	FILTER 78KHZ
T102	9965 000 14126	IFT AM 455KHZ
T103	9965 000 12600	FILTER 16KHZ
T104	9965 000 12600	FILTER 16KHZ
T105	9965 000 14127	FM IFT 10,7MHZ Q=60 MIN

DIODES

D001	4822 130 30621	1N4148
D002	4822 130 30621	1N4148
D003	4822 130 30621	1N4148
D004	4822 130 30621	1N4148
D101	4822 130 30621	1N4148
VD001	4822 130 81673	1SV149
VD002	4822 130 81673	1SV149

TRANSISTORS & INTEGRATED CIRCUITS

IC101	9965 000 12594	LA1837 SANYO
IC151	9965 000 12596	BU1923F /22S
IC152	9965 000 12595	LC72131M
Q001	4822 130 63173	2SK192AY
Q101	4822 130 41595	2SC1675L
Q102	4822 130 41595	2SC1675L
Q103	4822 130 63876	2SA733R
Q104	4822 130 41198	2SC945P
Q105	4822 130 41198	2SC945P

Note: Only the parts mentioned in this list are normal service spare parts.

DVD LOADER

It is not recommended for component repair on this Module but to replace the major assembly when it becomes defective. Therefore limited service parts list are published in this chapter.

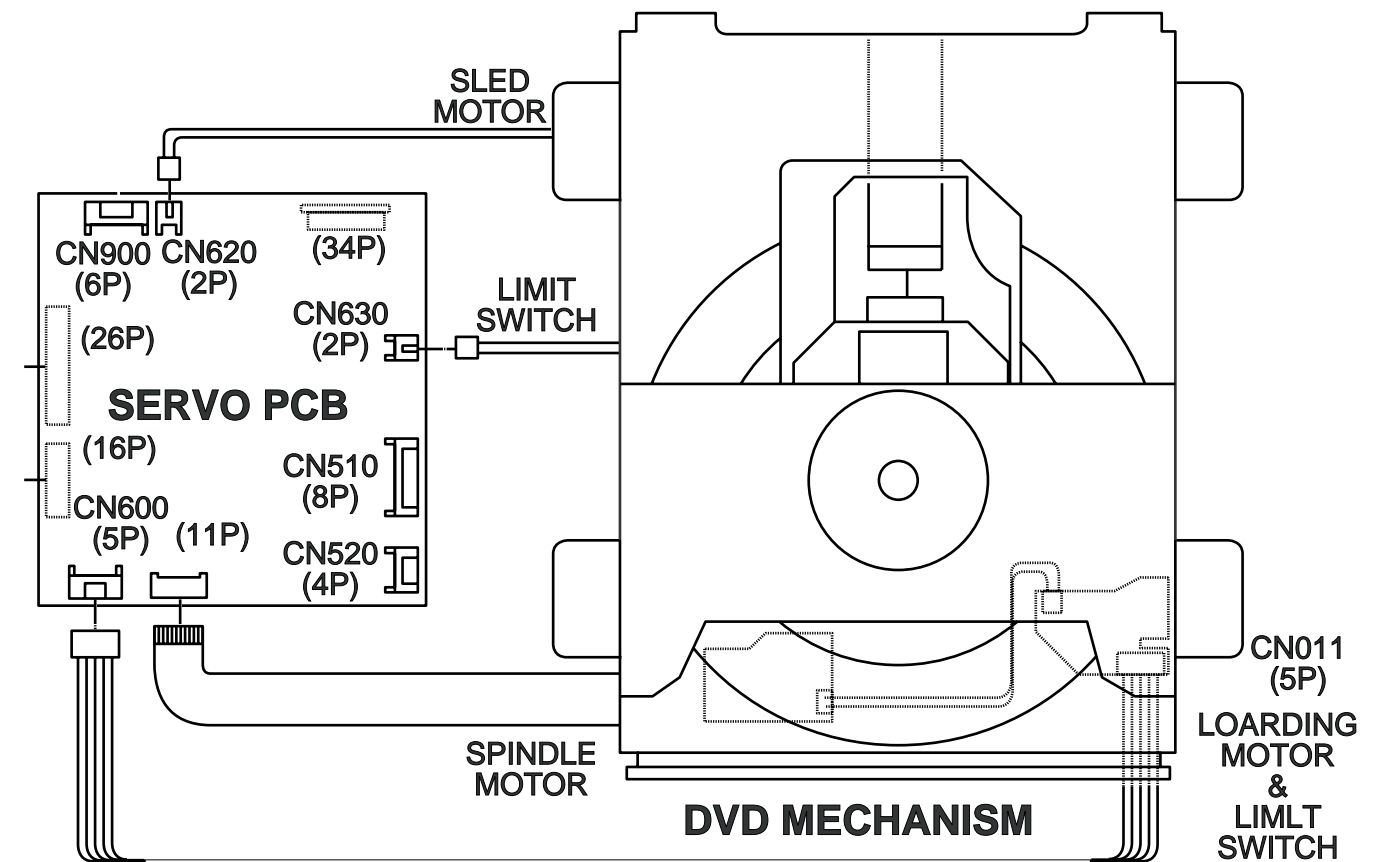
The Circuit & Layout diagrams are published for reference only. The repair assistance on DVD section is given on Chapter 2.



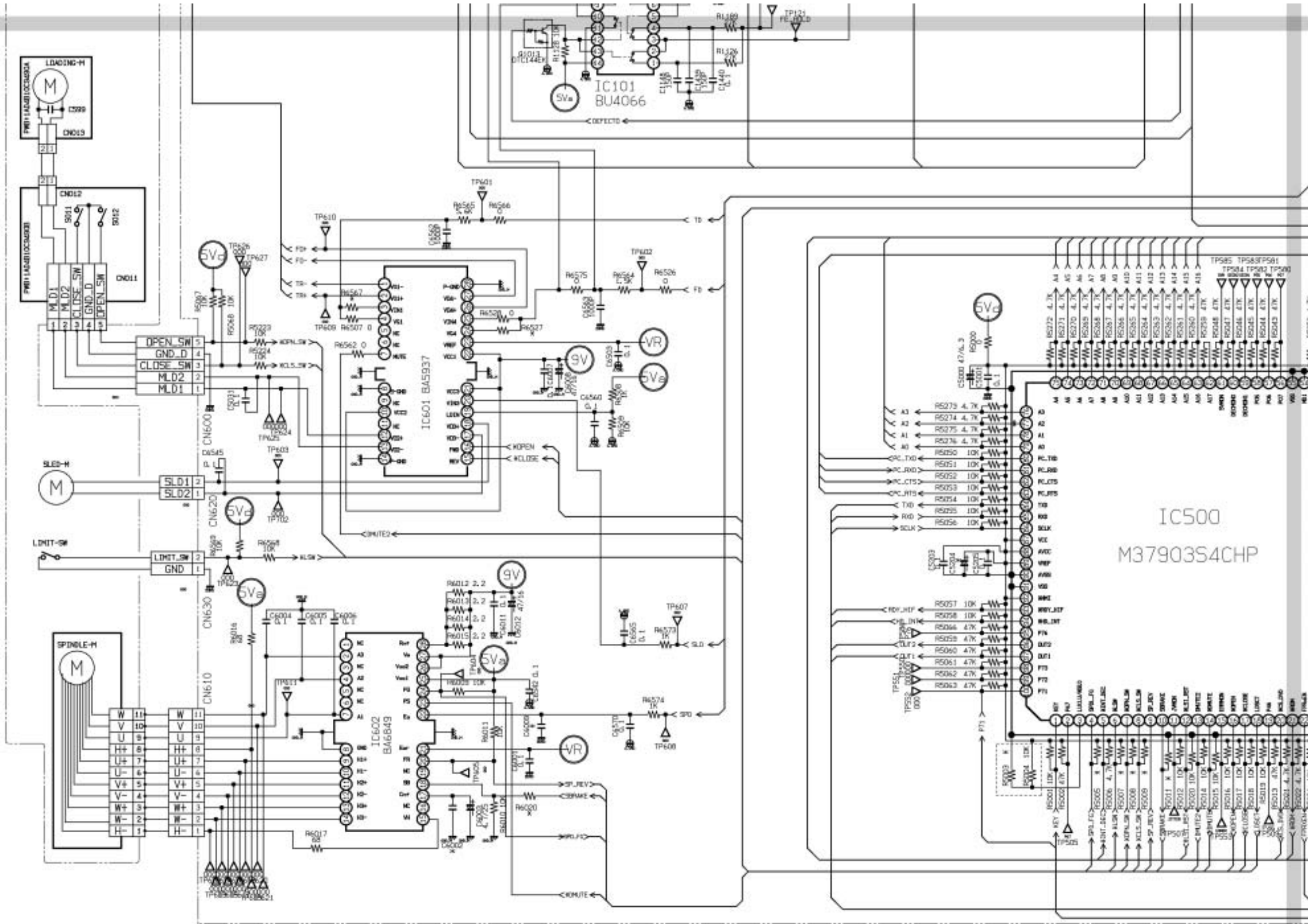
TABLE OF CONTENTS

Wiring Connection	7-1
Schematic Diagram (Top Left)	7-2
Schematic Diagram (Top Right)	7-3
Schematic Diagram (Bottom Left)	7-4
Schematic Diagram (Bottom Right)	7-5
Circuit Diagram (Side A and B).....	7-6
Explorer View (DVD Loader).....	7-7
Mechanical Part list.....	7-8

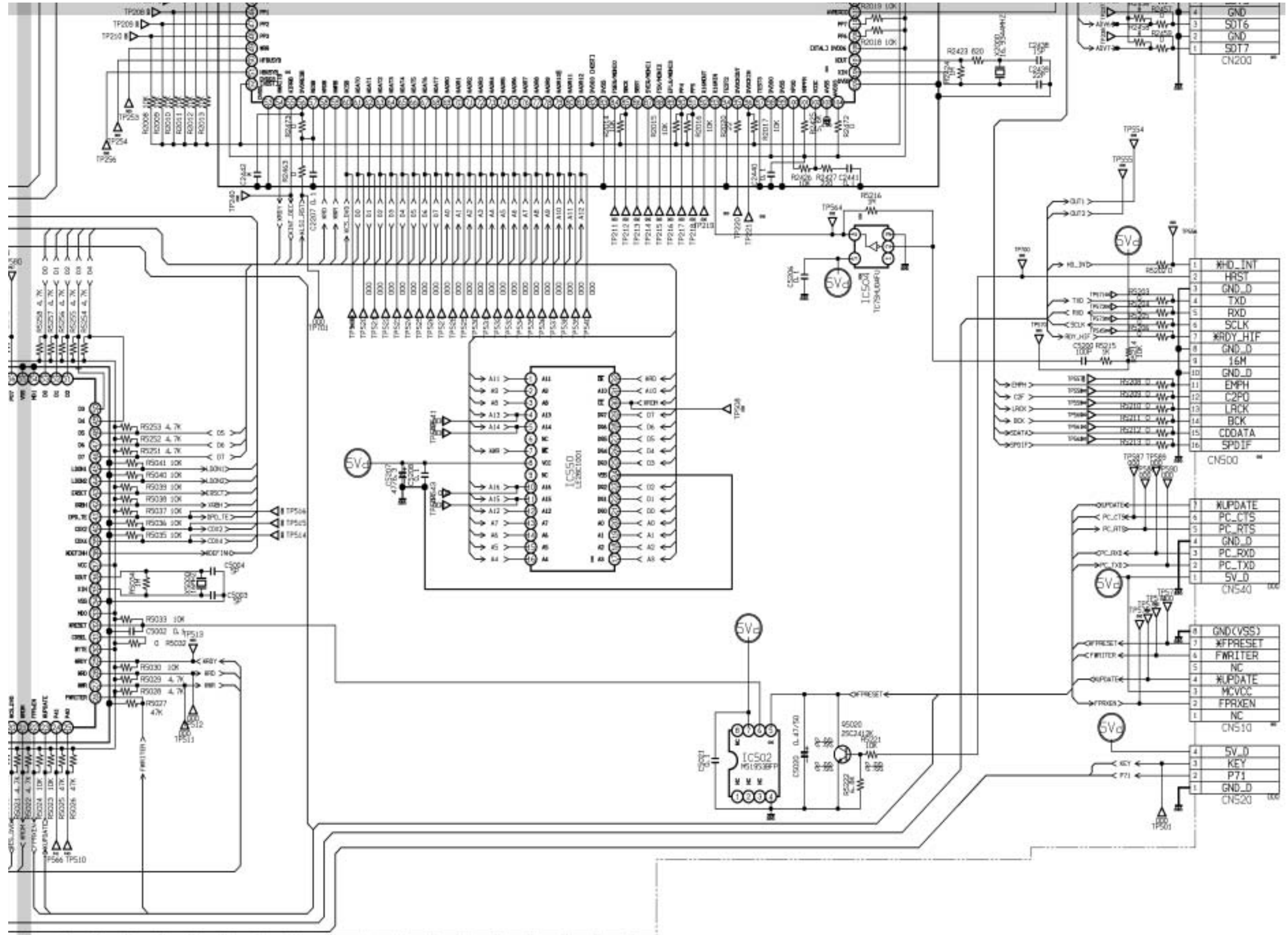
WIRING CONNECTION



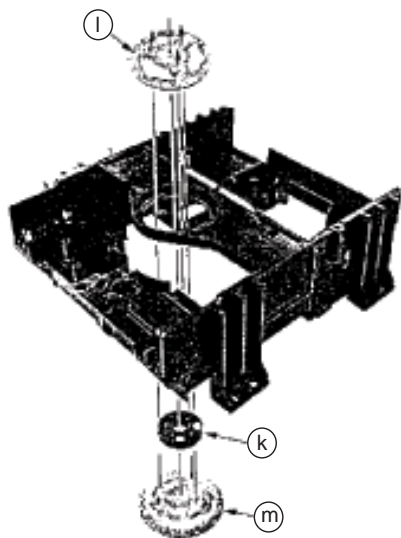
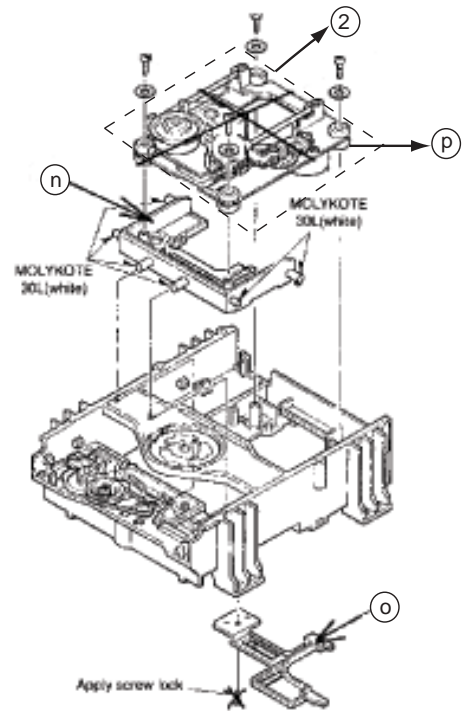
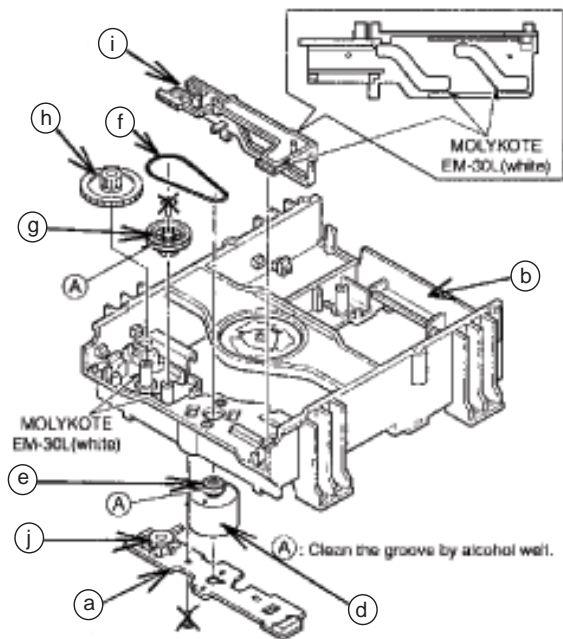
SCHEMATIC DIAGRAM (BOTTOM LEFT) - SERVO BOARD



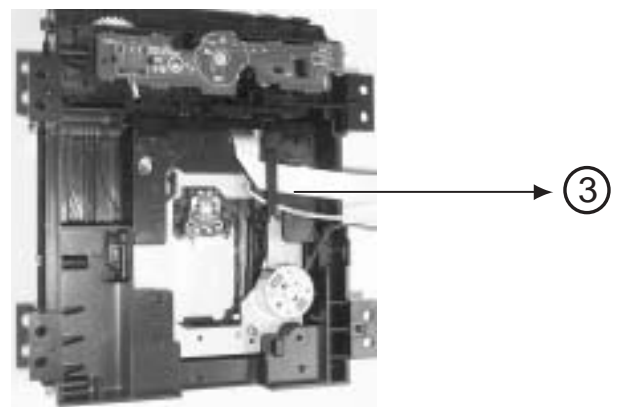
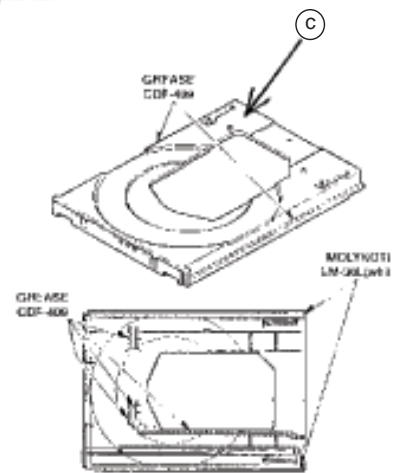
SCHEMATIC DIAGRAM (BOTTOM RIGHT) - SERVO BOARD



Explorer View - DVD Loader



Tray parts.



Without DVD Drive

MECHANICAL / ELECTRICAL PARTS LIST - DVD MODULE

1	9965 000 13082	SERVO PC BOARD ASSEMBLY
2	9965 000 13083	DVD DRIVE MECHANISM
3	9965 000 13084	LOADER MECHANISM (<i>without Servo Board and DVD Drive mechanism</i>)
c	9965 000 13085	TRAY
f	9965 000 13086	BELT
j	9965 000 13087	SWITCH LEVER
p	9965 000 13088	SPACER MECHA (SUSPENSION)
d+e	9965 000 13089	MOTOR W/PULLEY ASSEMBLY
	9965 000 12822	COMPLETE DVD MODULE (<i>with Servo Board and DVD Drive mechanism</i>)

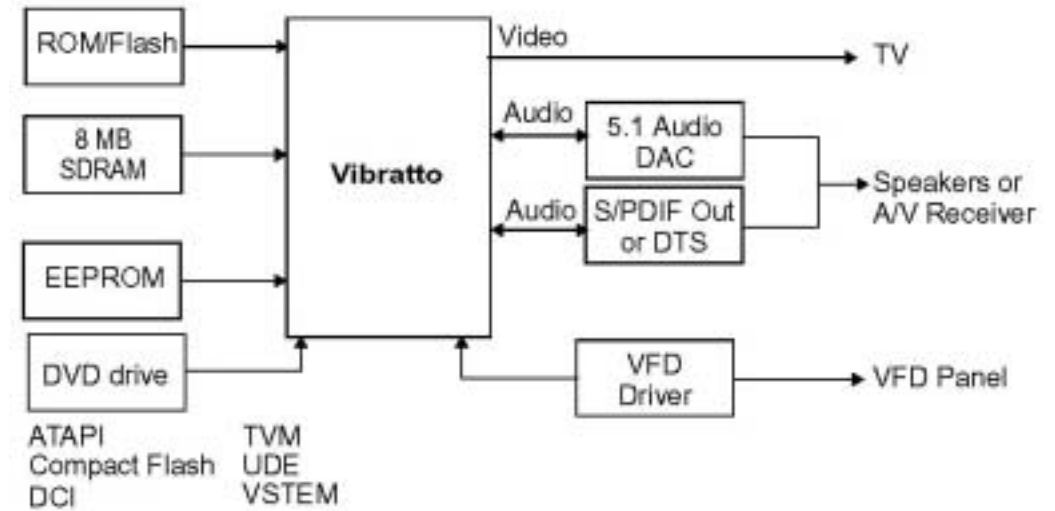
Note: Only the parts mentioned in this list are normal service spare parts.

MAIN BOARD

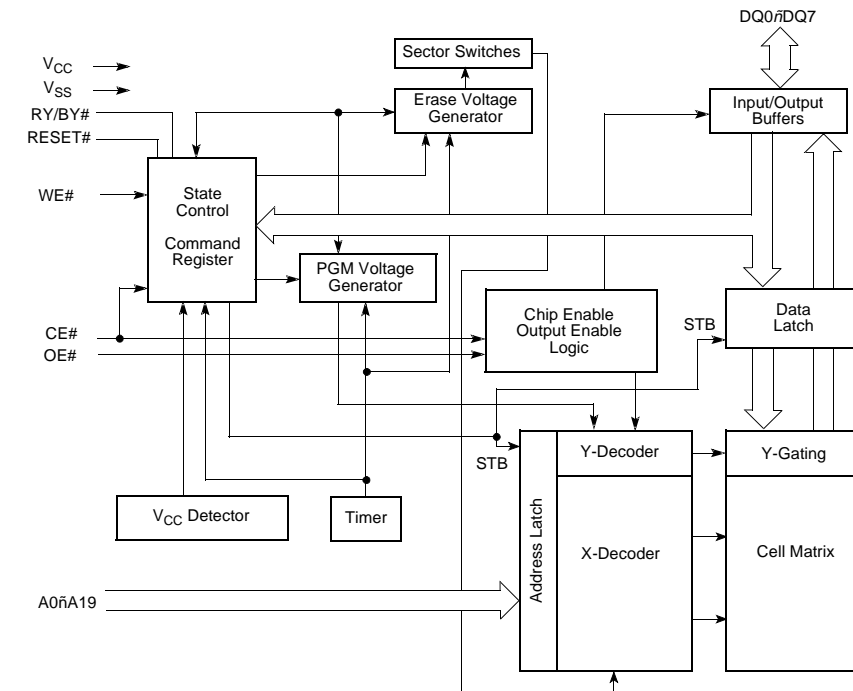
TABLE OF CONTENTS

Internal IC Diagram	8-1
Circuit Diagram (Top Left)	8-4
Circuit Diagram (Top Right).....	8-5
Circuit Diagram (Bottom Left)	8-6
Circuit Diagram (Bottom Right)	8-7
PCB Layout(Component View)	8-8
PCB Layout(Copperside View)	8-9
Electrical Parts list	8-10

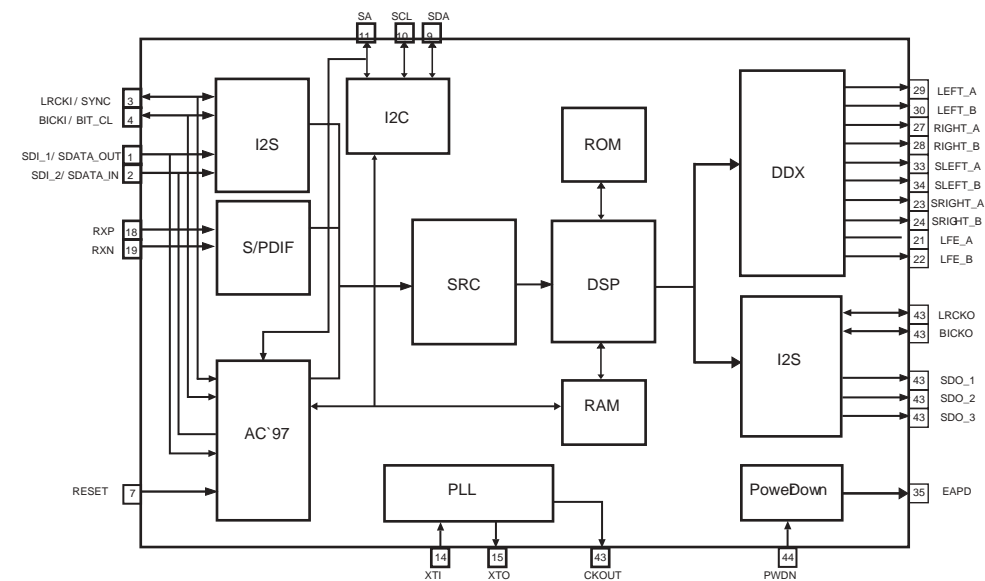
6018/6028 INTERNAL IC DIAGRAM



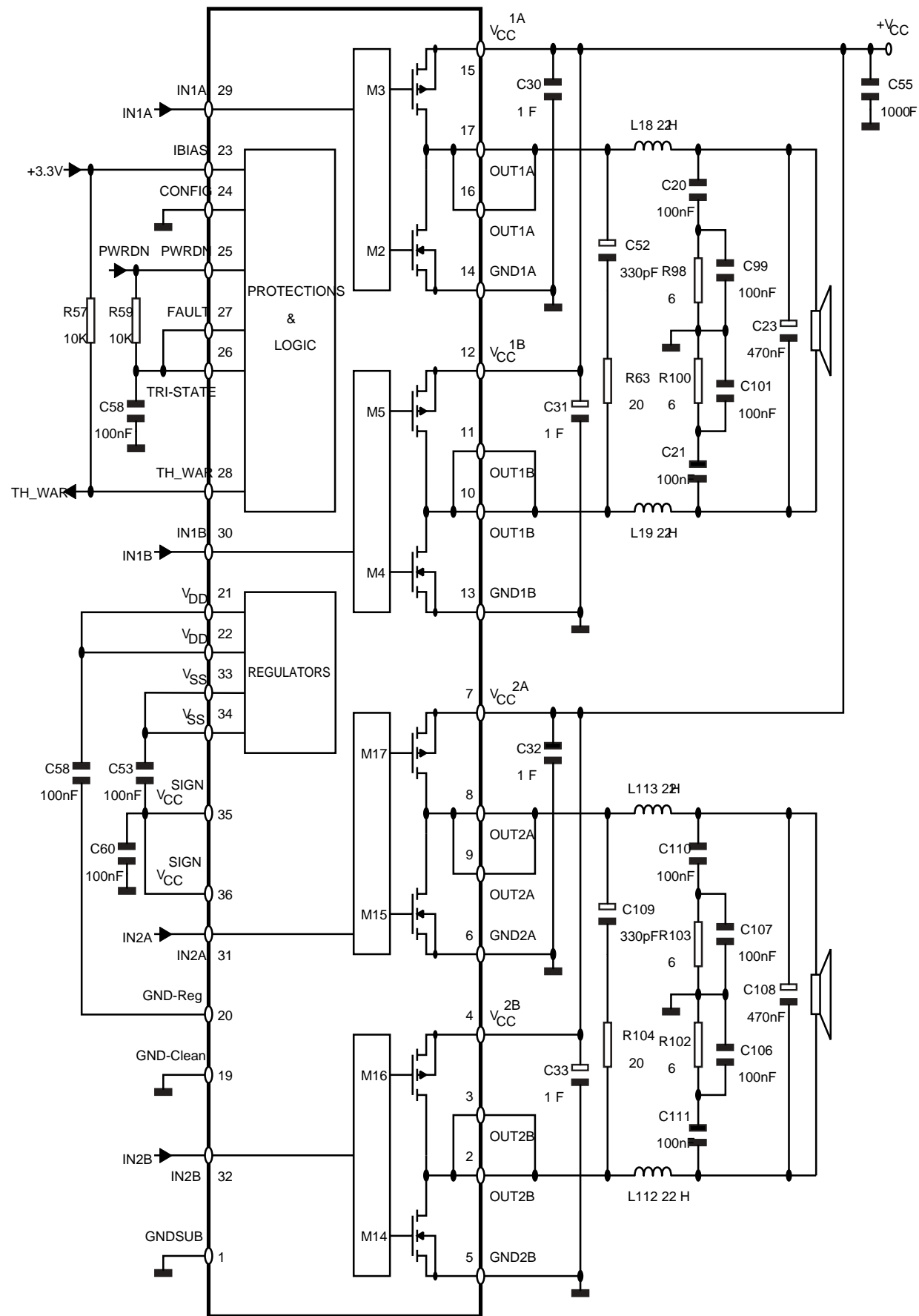
AM29F080B INTERNAL IC DIAGRAM



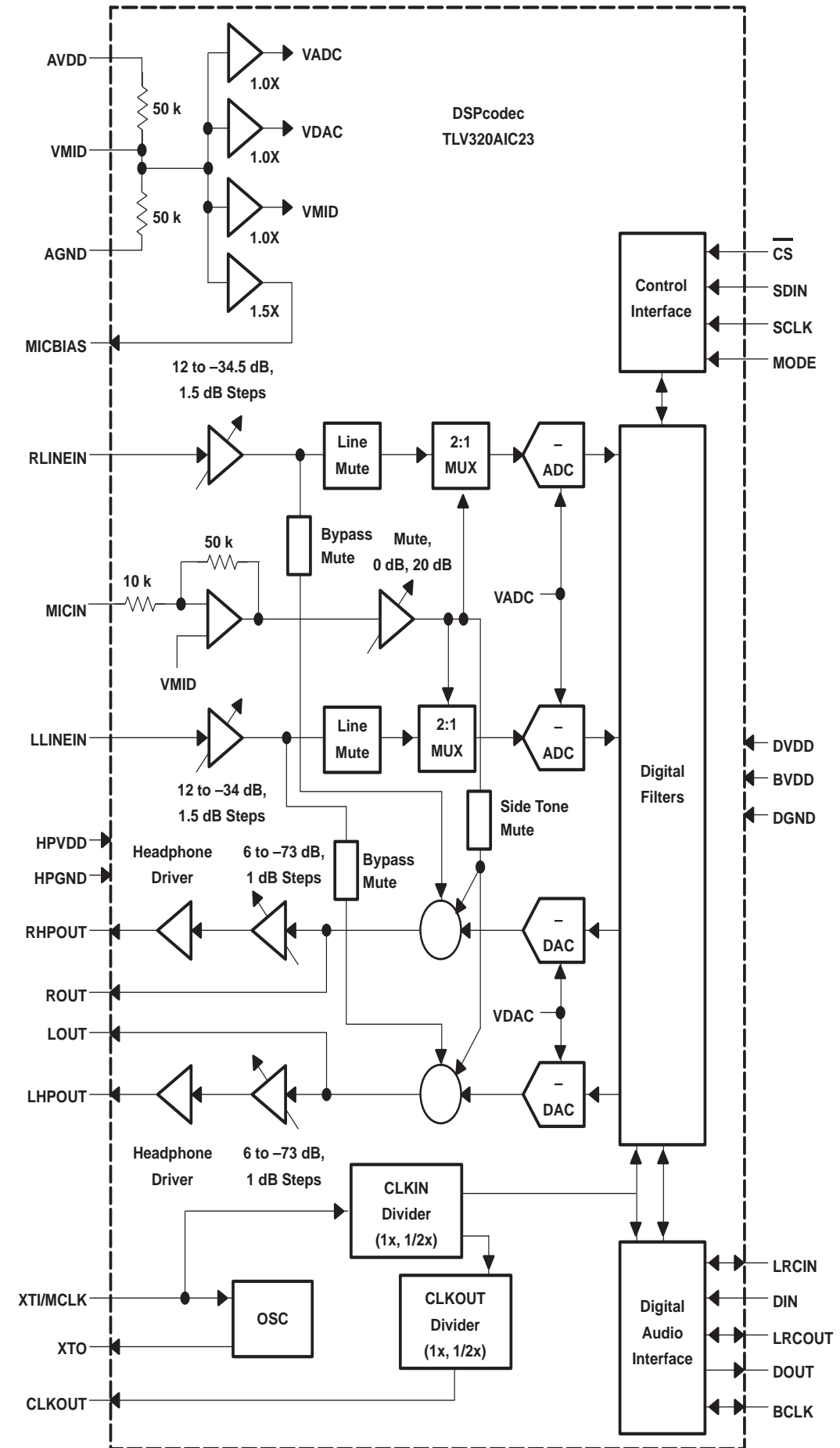
STA304A INTERNAL IC DIAGRAM



STA505 AUDIO APPLICATION CIRCUIT



TLV320A INTERNAL IC DIAGRAM



VOLTAGES

IC100 (AM29F)																				
PIN No.	1	2	3	4	5	6	7	8	9	10	11	12	13	14	15	16	17	18	19	20
Voltage	1.2	2.1	0	0	1.8	0	1.3	1.7	3.3	5.1	0	5.1	0	1.9	0	1.5	1.5	1.8	1.6	1.6
PIN No.	21	22	23	24	25	26	27	28	29	30	31	32	33	34	35	36	37	38	39	40
Voltage	1.4	2.1	0	0	1.9	1.7	1.4	2.1	0	0	5	1.3	1.6	0.6	0.8	0	3.2	3.3	0	0

IC102 (74HC3740)																				
PIN No.	1	2	3	4	5	6	7	8	9	10	11	12	13	14	15	16	17	18	19	20
Voltage	0	5.1	1.5	1.1	5	5	1.2	1.9	5	0	3.3	5	0	0.9	5	5	0.6	0	5.1	5

IC103 (ES6018)																				
PIN No.	1	2	3	4	5	6	7	8	9	10	11	12	13	14	15	16	17	18	19	20
Voltage	3.3	1.7	1.6	1.7	1.5	1.6	2	0	2.6	2	2	1.7	1.4	1.4	1.9	1.1	0	3.4	1.6	2.1
PIN No.	21	22	23	24	25	26	27	28	29	30	31	32	33	34	35	36	37	38	39	40
Voltage	1.2	0.4	0.4	5	0	0	3.4	1.6	1.1	1.7	0.7	1.7	1.1	0	2.6	1.2	1.1	1.5	1.7	1.7
PIN No.	41	42	43	44	45	46	47	48	49	50	51	52	53	54	55	56	57	58	59	60
Voltage	1.7	0	0	2.6	0.2	0.2	0.2	0	2.1	1.5	3.4	0	0.1	0.6	0.6	1.5	1.5	1.6	3.4	0
PIN No.	61	62	63	64	65	66	67	68	69	70	71	72	73	74	75	76	77	78	79	80
Voltage	1.5	1.5	1.5	0	0.2	0.2	0	3.4	3.3	3.4	0	3.3	0.2	0	3.3	0	1.2	1.2	1.5	1.4
PIN No.	81	82	83	84	85	86	87	88	89	90	91	92	93	94	95	96	97	98	99	100
Voltage	1.4	1.3	2.5	0	1.3	1.2	0	1.3	1.4	1.2	0	3.4	0.1	0.1	1.5	1.4	0	0	3.4	3.1
PIN No.	101	102	103	104	105	106	107	108	109	110	111	112	113	114	115	116	117	118	119	120
Voltage	0	1.3	0	3.4	1.4	1	1.3	1.3	1.9	1.2	3.3	0	0.9	0.5	0	0.5	0.2	0.3	0.4	0
PIN No.	121	122	123	124	125	126	127	128	129	130	131	132	133	134	135	136	137	138	139	140
Voltage	2.6	0	0	0	3.3	0	3.3	0	0	3.4	3.4	3.3	0	0	3.4	0.1	0	0	2.6	0
PIN No.	141	142	143	144	145	146	147	148	149	150	151	152	153	154	155	156	157	158	159	160
Voltage	0	3.3	3.3	3.3	3.3	1.2	0	3.4	0	3.3	0	0.2	0.2	0.2	0.3	0	3.4	0.1	3.3	4.1
PIN No.	161	162	163	164	165	166	167	168	169	170	171	172	173	174	175	176	177	178	179	180
Voltage	5.1	1	3.3	5.1	3	5.1	5	5.1	5.1	3.3	0	2.6	3.3	3.3	3.3	3.3	0	2.3	1.3	1.9
PIN No.	181	182	183	184	185	186	187	188	189	190	191	192	193	194	195	196	197	198	199	200
Voltage	1.4	1.2	3.4	0	0.9	0.5	0.6	1	1.4	1.2	1.3	1.4	0	3.4	0.9	1.1	1.1	3.3	3.3	0
PIN No.	201	212	203	204	205	206	207	208												
Voltage	2.3	1.1	1.1	1.1	0.2	2.1	1.3	0												

IC104 (74HC3740)																				
PIN No.	1	2	3	4	5	6	7	8	9	10	11	12	13	14	15	16	17	18	19	20
Voltage	0	5.1	1.4	1.3	0	0	0	1.5	5	0	3.3	5.1	0.9	1.1	0	5.1	1	1.3	0	5

IC105 (AT24C02)																				
PIN No.	1	2	3	4	5	6	7	8												
Voltage	0	0	0	0	4.1	0	0	5.1												

IC106 (4X16Y3VTW)																				
PIN No.	1	2	3	4	5	6	7	8	9	10	11	12	13	14	15	16	17	18	19	20
Voltage	3.4	1.1	3.4	1.2	1.4	0	1.3	1.2	3.4	1.2	1.2	0	1.2	3.4	0.1	3.1	3.1	3.1	2.9	0.2
PIN No.	21	22	23	24	25	26	27	28	29	30	31	32	33	34	35	36	37	38	39	40
Voltage	0.1	0.2	0.1	0.6	0.6	1.5	3.4	0	1.6	1.8	1.6	1.4	1.2	0	0.2	0.2	3.4	1.4	0.1	0
PIN No.	41	42	43	44	45	46	47	48	49	50	51	52	53	54						
Voltage	0	1.2	3.4	1.2	1.2	0	1.2	1	1.6	3.4	1.6	0	1.6	0						

IC400 (TC4052BP)																				
PIN No.	1	2	3	4	5	6	7	8	9	10	11	12	13	14	15	16				
Voltage	0	0	0	0	0	0	0	5.1	5.1	0	0	0	0	0	0	5.1				

IC401 (4558)																				
PIN No.	1	2	3	4	5	6	7	8												
Voltage	0	0	0	-5.2	0	0	0	5.1												

IC402 (TLV320A)																				
PIN No.	1	2	3	4	5	6	7	8	9	10	11	12	13	14	15	16	17	18	19	20
Voltage	3.4	1.6	1.7	1.1	1.7	1.4	1.7	3.4	1.7	1.7	0	0	1.7	3.4	0	1.7	0	0.1	1.7	1.7
PIN No.	21	22	23	24	25	26	27	28												
Voltage	0	0	3	3.5	1.6	0.4	3.4	0												

IC500 (F4LVT126)																				
PIN No.	1	2	3	4	5	6	7	8	9	10	11	12	13	14						
Voltage	0	1.4	1.2	0	0	1.2	0	3.5	5.1	3.5	0	0	0	3.5						

IC501 (F4LVT125)																				
PIN No.	1	2	3	4	5	6	7	8	9	10	11	12	13	14						
Voltage	0	1.1	1.21	0	1.1	1.1	0	1.7	1.7	0	1.7	1.7	0	3.5						

IC502 (STA304A)																				
PIN No.	1	2	3	4	5	6	7	8	9	10	11	12	13	14	15	16	17	18	19	20
Voltage	1.1	1.1	1.7	1.7	1.7	0	3.5	0	4.1	3.5	0	0	3.5	1.6	1.6	0	3.5	0	0	0

IC502 (STA304A)																				
PIN No.	21	22	23	24	25	26	27	28	29	30	31	32	33	34	35	36	37	38	39	40
Voltage	0.2	0.2	0.2	0.2	0	3.5	0.2	0.2	0.2	0.2	0	3.5	0.2	1.2	0	1.7	1.4	1.4	0	0
PIN No.	41	42	43	44																
Voltage	0	0	0	0																

IC503 (STA505)																				
PIN No.	1	2	3	4	5	6	7	8	9	10	11	12	13	14	15	16	17	18	19	20
Voltage	0	2.2	2.2	30.5	0	0	30.5	2.2	2.2	2.2	2.2	30.5	0	0	30.5	2.2	2.2	0	0	0
PIN No.	21	22	23	24	25	26	27	28	29	30	31	32	33	34	35	36				
Voltage	4.8	4.8	3.5	0	3.5	3.5	3.5	3.5	0.2	0.2	0.2	0.2	25.3	25.3	30.5	30.5				

IC504 (STA505)																				
PIN No.	1	2	3	4	5	6	7	8	9	10	11	12	13	14	15	16	17	18	19	20
Voltage	0	2.2	2.2	30.5	0	0	30.5	2.2	2.2	2.2	2.2	30.5	0	0	30.5	2.2	2.2	0	0	0
PIN No.	21	22	23	24	25	26	27	28	29	30	31	32	33	34	35	36				
Voltage	4.8	4.8	3.5	0	3.5	3.5	3.5	3.5	0.2	0.2	0.2	0.2	25.3	25.3	30.5	30.5				

IC505 (STA304A)																				
PIN No.	1	2	3	4	5	6	7	8	9	10	11	12	13	14	15	16	17	18	19	20
Voltage	1.2	0	1.7	1.7	3.5	0	3.5	0	3	3.5	0	0	3.4	1.6	1.8	0	3.5	0.9	0.9	0
PIN No.	21	22	23	24	25	26	27	28	29	30	31	32	33	34	35	36	37	38	39	40
Voltage	0.2	0	0	0	0	0	0	0.2	0.3	0.3	0	3.5	0	0	0	0	0	0	0	0
PIN No.	41	42	43	44																
Voltage	0	3.5	1.9	3.5																

IC506 (STA505)																				
PIN No.	1	2	3	4	5	6	7	8	9	10	11	12	13	14	15	16	17	18	19	20
Voltage	0	2.2	2.2	30.5	0	0	30.5	2.2	2.2	2.2	2.2	30.5	0	0	30.5	2.2	2.2	0	0	0
PIN No.	21	22	23	24	25	26	27	28	29	30	31	32	33	34	35	36				
Voltage	4.8	4.8	3.5	0	3.5	3.5	3.5	3.5	0.2	0.2	0.2	0.2								

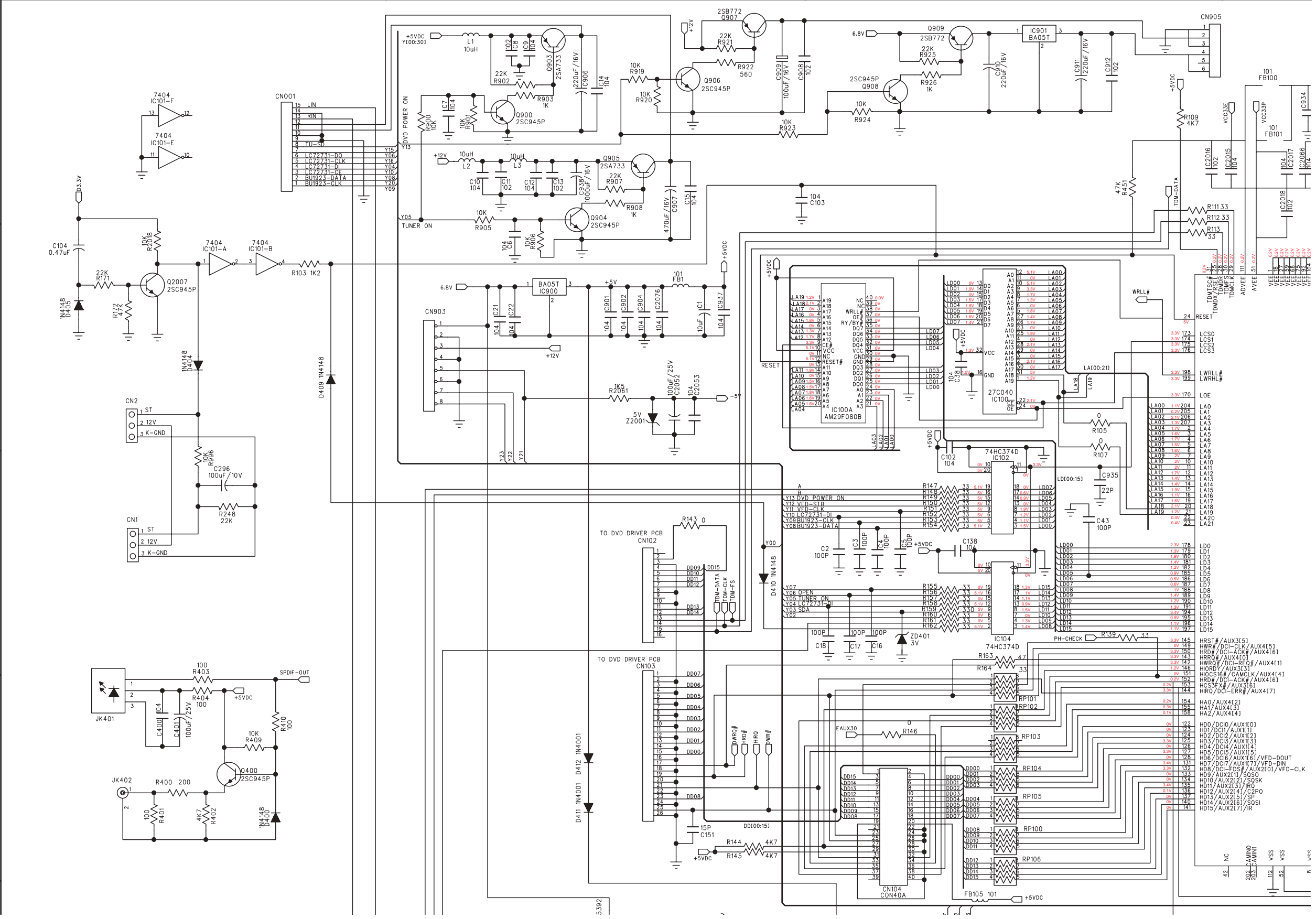
CIRCUIT DIAGRAM (TOP LEFT)

A
B
C
D

1

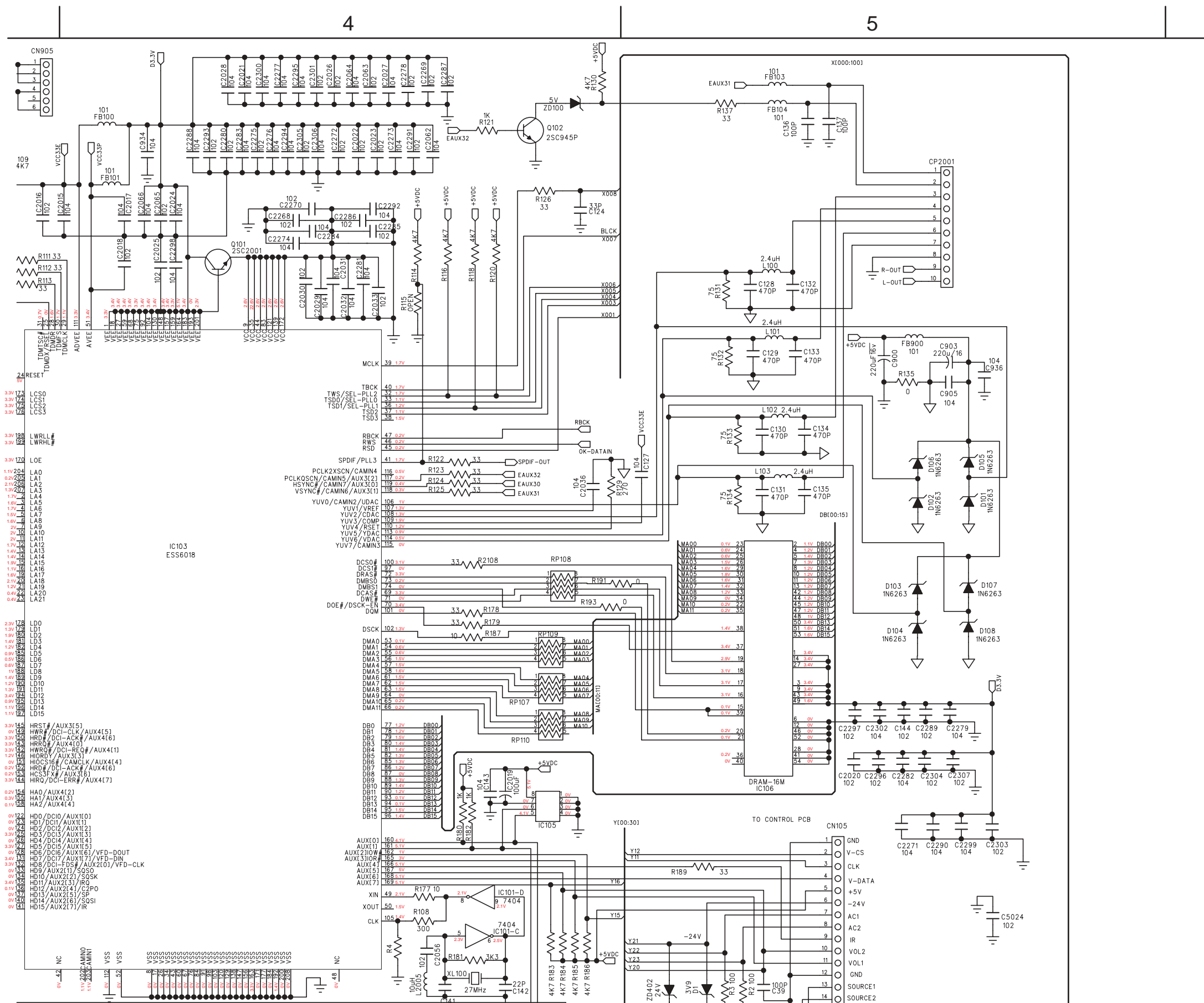
2

3



5392

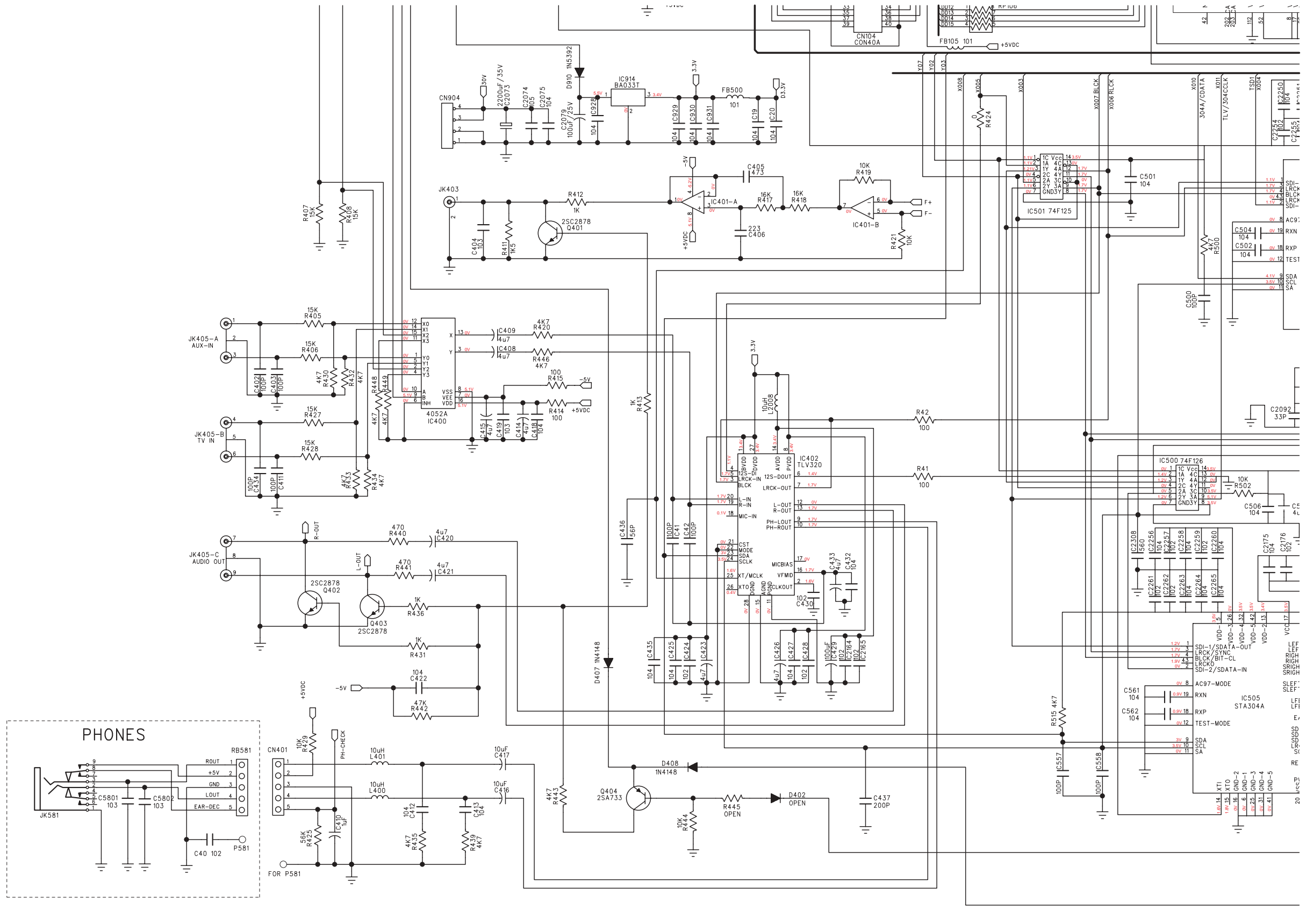
CIRCUIT DIAGRAM (TOP RIGHT)



CN1	C1	L500	E5	R154	C3	R513	F5
CN2	B1	L501	E5	R155	C3	R514	G5
CN102	C2	L502	F5	R156	C3	R515	H3
CN103	D2	L503	F5	R157	C3	R516	H4
CN105	D5	L504	H5	R158	C3	R517	H4
CN401	H1	L507	E5	R159	C3	R518	G4
CN903	B2	L508	F5	R160	C3	R519	G5
CN904	E2	L509	G5	R161	C3	R520	F5
CN905	A3	L513	H5	R162	C3	R521	H5
CP2001	A5	L514	H5	R163	C3	R522	G5
D1	D5	L515	F5	R164	C3	R523	G5
D101	B5	L2005	D4	R171	B1	R524	H5
D102	B5	L2008	F2	R172	B1	R525	H5
D103	C5	L2009	E4	R177	D4	R526	H5
D104	C5	L2010	E4	R178	C4	R527	H5
D105	B5	L2032	F5	R179	C4	R528	H5
D106	B5	L2034	G5	R180	D4	R529	H5
D107	C5	L2036	G5	R181	D4	R530	H5
D108	C5	L2037	H5	R182	D4	R531	H5
D400	D1	L2038	G5	R183	D4	R532	H5
D404	B1	L2045	G5	R184	D4	R533	F4
D405	B1	Q101	A4	R185	D4	R534	F4
D407	G2	Q102	A4	R186	D4	R900	A2
D408	H2	Q400	D1	R187	C4	R901	A2
D409	B1	Q401	E2	R189	D5	R902	A2
D410	C2	Q402	G1	R191	C4	R903	A2
D411	D2	Q403	G2	R193	C4	R905	B2
D412	D2	Q404	H2	R248	C1	R906	B2
D910	E2	Q900	A2	R400	D1	R907	A2
FB1	B2	Q903	A2	R401	D1	R908	A2
FB100	A4	Q904	A2	R402	D1	R919	A2
FB101	A4	Q905	A2	R403	D1	R920	A2
FB103	A5	Q906	A2	R404	D1	R921	A2
FB104	A4	Q907	A2	R405	F1	R922	A2
FB500	E2	Q908	A3	R406	F1	R923	A2
FB502	G4	Q909	A3	R407	E1	R924	A3
FB503	G4	Q2007	B1	R409	D1	R925	A3
FB900	B5	R1	F4	R410	D1	R926	A3
IC100	B3	R2	D5	R411	E2	R996	C1
IC100A	B3	R3	D5	R412	E2	R2018	B1
IC101-A	B1	R4	D4	R413	F2	R2016	B2
IC101-B	B1	R41	G3	R414	F2	R2108	C4
IC101-C	D4	R42	F3	R415	F2	RB581	H1
IC101-D	D4	R103	B1	R417	E2	RP100	D3
IC101-E	A1	R105	B3	R418	E3	RP101	D3
IC101-F	A1	R107	C3	R419	E3	RP102	D3
IC102	C3	R108	D4	R420	F2	RP103	D3
IC103	C4	R109	A3	R421	E3	RP104	D3
IC104	C3	R111	A3	R424	E3	RP105	D3
IC105	D4	R112	A3	R425	H1	RP106	D3
IC106	D5	R113	B3	R427	F1	RP107	C4
IC400	F2	R114	A4	R428	F1	RP108	C4
IC401-A	E2	R115	B4	R429	G1	RP109	C4
IC401-B	E3	R116	A4	R430	F1	RP110	C4
IC402	G3	R118	A4	R431	G2	XL100	F4
IC500	G3	R120	A4	R432	F1	XL500	F4
IC501	E3	R121	A4	R433	G1	Z2001	B2
IC502	E4	R122	B4	R434	G2	ZD100	A4
IC503	H5	R123	B4	R435	H2	ZD401	C3
IC504	G5	R124	B4	R436	G2	ZD402	D5
IC505	H4	R125	B4	R439	H2		
IC506	E5	R126	A4	R440	G2		
IC900	B2	R129	B5	R441	G2		
IC901	A3	R130	A4	R442	H2		
IC914	E2	R131	B5	R443	H2		
JK401	D1	R132	B5	R444	H2		
JK402	D1	R133	B5	R446	F2		
JK403	E2	R134	B5	R448	F2		
JK405-A	F1	R135	B5	R449	F2		
JK405-B	F1	R137	A5	R500	F4		
JK405-C	G1	R139	C3	R501	F4		
JK500	F5	R143	C2	R502	G4		
JK581	H1	R144	D2	R503	E4		
L1	A2	R145	D2	R504	H4		
L2	A2	R146	D3	R505	E5		
L3	A2	R147	C3	R506	F5		
L100	A5	R148	C3	R507	H5		
L101	B5	R149	C3	R508	F5		
L102	B5	R150	C3	R509	H5		
L103	B5	R151	C3	R510	E5		
L400	H2	R152	C3	R511	E5		
L401	H2	R153	C3	R512	F5		

CIRCUIT DIAGRAM (BOTTOM LEFT)

E
F
G
H

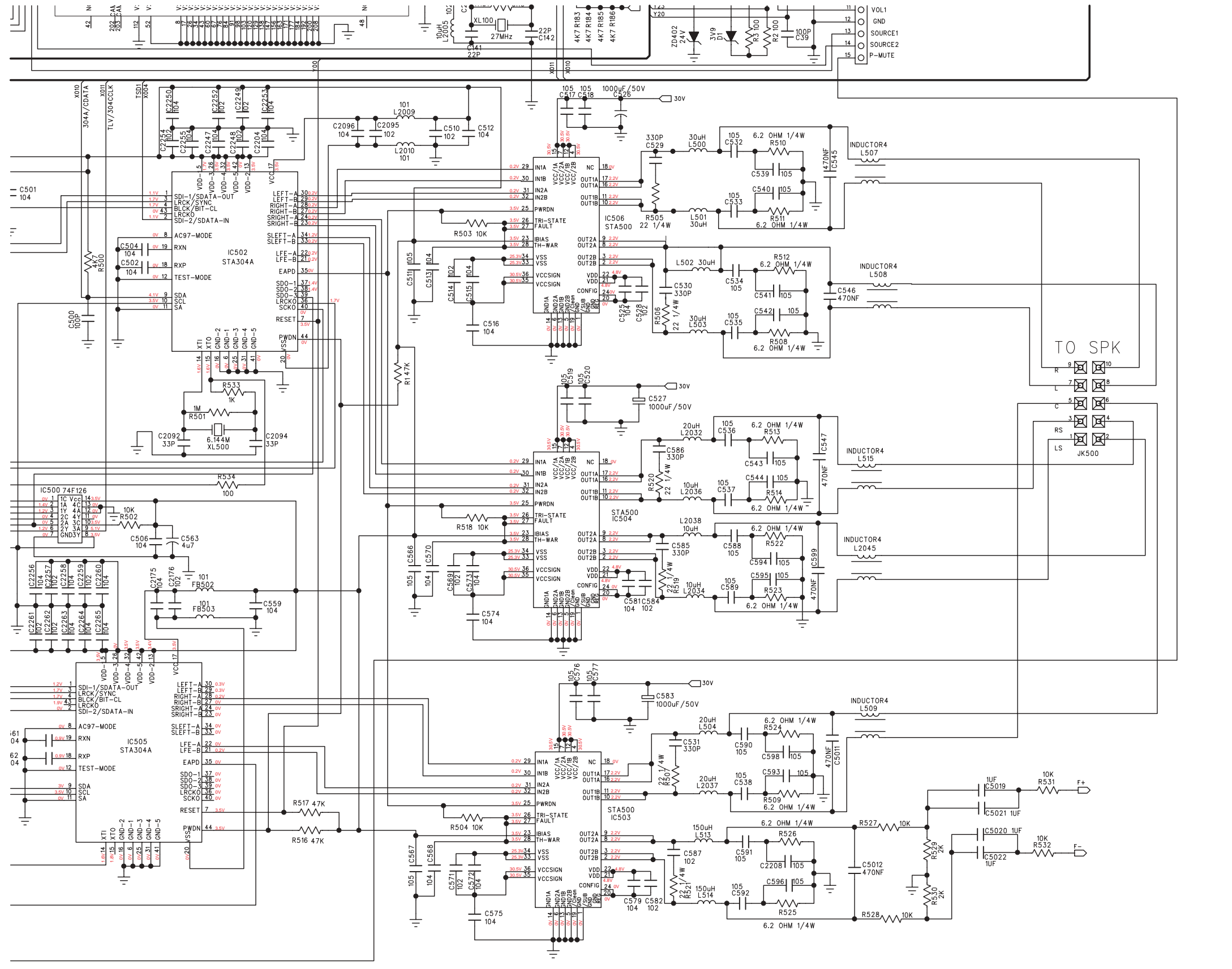


1

2

3

CIRCUIT DIAGRAM (BOTTOM RIGHT)

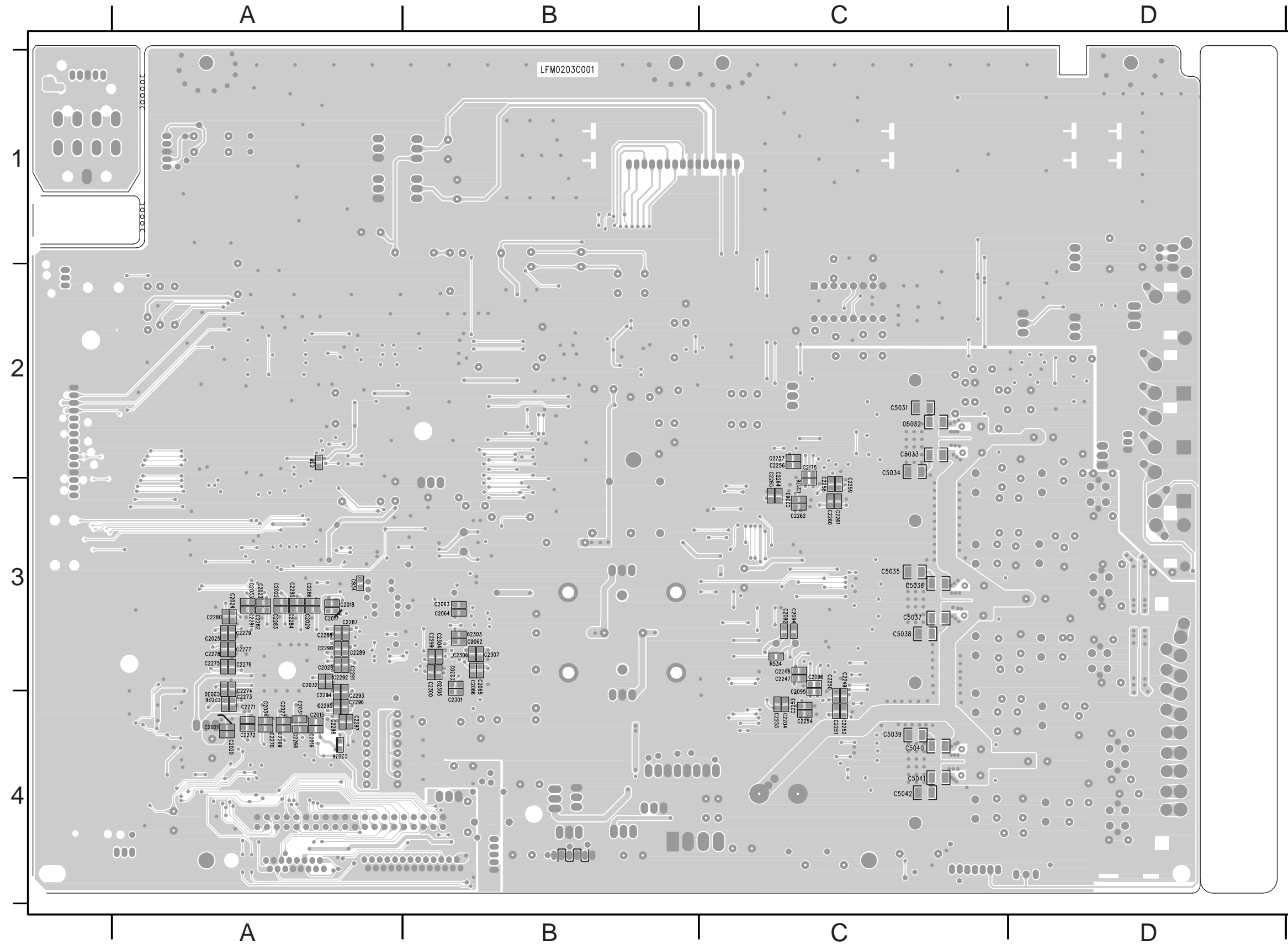


4

5

C1	B2	C436	G2	C906	A2	C2277	A4
C2	C3	C437	H3	C907	A2	C2278	A4
C3	C3	C500	F3	C908	A2	C2279	C5
C4	C3	C501	E3	C909	A2	C2280	A4
C5	C3	C502	F4	C910	A3	C2281	A4
C6	B2	C504	E4	C911	A3	C2282	D5
C7	A2	C506	G4	C912	A3	C2283	A4
C8	A2	C510	E4	C928	E2	C2284	A4
C9	A2	C511	F4	C929	E2	C2285	A4
C10	A2	C512	E4	C930	E2	C2286	A4
C11	A2	C513	F4	C931	E2	C2287	A4
C12	A2	C514	F4	C934	A4	C2288	A4
C13	A2	C515	F4	C935	C3	C2289	C5
C14	A2	C516	F4	C936	B5	C2290	D5
C15	A2	C517	E4	C937	B2	C2291	A4
C16	C3	C518	E4	C938	A2	C2292	A4
C17	C3	C519	F4	C2015	A4	C2293	A4
C18	C3	C520	F4	C2016	A3	C2294	A4
C19	E2	C525	F5	C2017	A4	C2295	A4
C20	E2	C526	E5	C2018	A4	C2296	D5
C21	B2	C527	F5	C2019	D4	C2297	C5
C22	B2	C528	F5	C2020	D5	C2298	A4
C38	B3	C529	E5	C2021	A4	C2299	D5
C39	D5	C530	F5	C2022	A4	C2300	A4
C40	H1	C531	H5	C2023	A4	C2301	A4
C41	G2	C532	E5	C2024	A4	C2302	C5
C42	G2	C533	E5	C2025	A4	C2303	D5
C43	C3	C534	F5	C2026	A4	C2304	D5
C102	B3	C535	F5	C2027	A4	C2305	A4
C103	A2	C536	F5	C2028	A4	C2306	A4
C104	B1	C537	G5	C2029	B4	C2307	D5
C124	A4	C538	H5	C2030	B4	C5011	H5
C127	B5	C539	E5	C2031	B4	C5012	H5
C128	B5	C540	E5	C2032	B4	C5019	H5
C129	B5	C541	F5	C2033	B4	C5020	H5
C130	B5	C542	F5	C2036	B4	C5021	H5
C131	B5	C543	F5	C2052	B2	C5022	H5
C132	B5	C544	F5	C2053	B2	C5024	D5
C133	B5	C545	E5	C2056	D4	C5801	H1
C134	B5	C546	F5	C2062	A4	C5802	H1
C135	B5	C547	F5	C2063	A4		
C136	A5	C557	H3	C2064	A4		
C137	A5	C558	H3	C2065	A4		
C138	C3	C559	G4	C2066	A4		
C141	D4	C561	H3	C2073	E2		
C142	D4	C562	H3	C2074	E2		
C143	D4	C563	G4	C2076	A4		
C144	C5	C566	G4	C2079	E2		
C151	D2	C567	H4	C2092	F4		
C296	C1	C568	H4	C2094	F4		
C400	D1	C569	G4	C2095	E4		
C401	D1	C570	G4	C2096	E4		
C402	F1	C571	H4	C2164	G3		
C403	F1	C572	H4	C2165	G3		
C404	E2	C573	G4	C2175	G4		
C405	E2	C574	G4	C2176	G4		
C406	E2	C575	H4	C2204	E4		
C408	F2	C576	G4	C2208	H5		
C409	F2	C577	G4	C2247	E4		
C410	H1	C579	H5	C2248	E4		
C411	G1	C581	G5	C2249	E4		
C412	H2	C582	H5	C2250	E4		
C413	H2	C583	G5	C2252	E4		
C414	F2	C584	G5	C2253	E4		
C415	F2	C585	G5	C2254	E4		
C416	H2	C586	F5	C2255	E4		
C417	H2	C587	H5	C2256	G3		
C418	F2	C588	G5	C2257	G3		
C419	F2	C589	G5	C2258	G3		
C420	G2	C590	H5	C2259	G3		
C421	G2	C591	H5	C2260	G4		
C422	G2	C592	H5	C2261	G3		
C423	G2	C593	H5	C2262	G3		
C424	G2	C594	G5	C2263	G3		
C425	G2	C595	G5	C2264	G3		
C426	G2	C596	H5	C2265	G4		
C427	G3	C598	H5	C2268	A4		
C428	G3	C599	G5	C2269	A4		
C429	G3	C900	B5	C2270	A4		
C430	G3	C901	B2	C2271	D5		
C432	G3	C902	B2	C2272	A4		
C433	G3	C903	B5	C2273	A4		
C434	G1	C904	B2	C2274	A4		
C435	G2	C905	B5	C2275	A4		

PCB LAYOUT (COPPER SIDE VIEW)



R534	C3	C2270	A4
C38	A2	C2271	A4
C934	A3	C2272	A4
C2015	A4	C2273	A4
C2016	A4	C2274	A4
C2017	A3	C2275	A3
C2018	A3	C2276	A3
C2020	A4	C2277	A3
C2021	A4	C2278	A3
C2022	A3	C2279	A3
C2023	A3	C2280	A3
C2024	A3	C2281	A3
C2025	A3	C2282	A3
C2026	A4	C2283	A3
C2027	A4	C2284	A3
C2028	A3	C2285	A3
C2029	A3	C2286	A3
C2030	A4	C2287	A3
C2031	A4	C2288	A3
C2032	A3	C2289	A3
C2033	A3	C2290	A3
C2034	A4	C2291	A3
C2036	A4	C2292	A3
C2092	C3	C2293	A4
C2094	C3	C2294	A4
C2095	C4	C2295	A4
C2096	C3	C2296	A4
C2204	C4	C2297	A4
C2247	C3	C2298	A4
C2248	C3	C2299	B3
C2249	C3	C2300	B3
C2250	C3	C2301	B4
C2251	C4	C2302	B3
C2252	C4	C2303	B3
C2253	C4	C2304	B3
C2254	C4	C2305	B3
C2255	C4	C2306	B3
C2257	C2	C2307	B3
C2062	B3	C5031	C2
C2063	B3	C5032	C2
C2064	B3	C5033	C2
C2065	B3	C5034	C2
C2066	B3	C5035	C3
C2175	C2	C5036	C3
C2176	C3	C5037	C3
C2256	C2	C5038	C3
C2258	C3	C5039	C4
C2259	C3	C5040	C4
C2260	C3	C5041	C4
C2261	C3	C5042	C4
C2262	C3		
C2263	C3		
C2264	C3		
C2265	C3		
C2268	A4		
C2269	A4		

ELECTRICAL PARTS LIST - MAIN BOARD

MISCELLANEOUS

JK401	9965 000 12506	SOCKET OPTICAL OUT
JK402	9965 000 12507	CINCH SOCKET 1P BLACK
JK403	9965 000 12507	CINCH SOCKET SUB-WOOFER OUT
JK405	9965 000 12505	CINCH SOCKET 6P WHITE/RED
JK500	9965 000 12502	LOUDSPEAKER SOCKET 10P
JK581	9965 000 14155	HEADPHONE SOCKET
CN102	9965 000 14144	FLEX SOCKET 16PIN VERT.
CN103	9965 000 14145	FLEX SOCKET 26PIN VERT.
XL100	9965 000 12473	CRYSTAL 27MHZ
XL500	9965 000 14167	X'TAL 6,144MHZ HC-49/U

CAPACITORS

C1	4822 124 40248	10uF 20% 63V
C2	4822 126 13221	100pF 2% NP0 63V
C3	4822 126 13221	100pF 2% NP0 63V
C4	4822 126 13221	100pF 2% NP0 63V
C5	4822 126 13221	100pF 2% NP0 63V
C6	4822 126 14585	100nF 10% X7R 0805 50V
C7	4822 126 14585	100nF 10% X7R 0805 50V
C8	9965 000 12588	1000pF 50V 5%
C9	4822 126 14585	100nF 10% X7R 0805 50V
C10	4822 126 14585	100nF 10% X7R 0805 50V
C11	9965 000 12588	1000pF 50V 5%
C12	4822 126 14585	100nF 10% X7R 0805 50V
C13	9965 000 12588	1000pF 50V 5%
C14	4822 126 14585	100nF 10% X7R 0805 50V
C15	4822 126 14585	100nF 10% X7R 0805 50V
C16	4822 126 13221	100pF 2% NP0 63V
C17	4822 126 13221	100pF 2% NP0 63V
C18	4822 126 13221	100pF 2% NP0 63V
C19	4822 126 14585	100nF 10% X7R 0805 50V
C20	4822 126 14585	100nF 10% X7R 0805 50V
C21	4822 126 14585	100nF 10% X7R 0805 50V
C22	4822 126 14585	100nF 10% X7R 0805 50V
C38	4822 126 14585	100nF 10% X7R 0805 50V
C39	9965 000 14130	100UF 16V 20%
C41	4822 126 13221	100pF 2% NP0 63V
C42	4822 126 13221	100pF 2% NP0 63V
C43	4822 126 13221	100pF 2% NP0 63V
C102	4822 126 14585	100nF 10% X7R 0805 50V
C103	4822 126 14585	100nF 10% X7R 0805 50V
C104	9965 000 14450	0,47uF 25V 20%
C124	2238 861 18339	33pF 1% 50V
C127	4822 126 14585	100nF 10% X7R 0805 50V
C128	9965 000 12475	470pF 50V 5%
C129	9965 000 12475	470pF 50V 5%
C130	9965 000 12475	470pF 50V 5%
C131	9965 000 12475	470pF 50V 5%
C132	9965 000 12475	470pF 50V 5%
C133	9965 000 12475	470pF 50V 5%
C134	9965 000 12475	470pF 50V 5%
C135	9965 000 12475	470pF 50V 5%

C136	4822 126 13221	100pF 2% NP0 63V
C138	4822 126 14585	100nF 10% X7R 0805 50V
C141	5322 122 32658	22pF 5% 50V
C142	5322 122 32658	22pF 5% 50V
C143	4822 126 14585	100nF 10% X7R 0805 50V
C144	9965 000 12588	1000pF 50V 5%
C151	4822 126 13486	15pF 2% NP0 63V
C296	9965 000 12559	100uF 16V 20%
C400	4822 126 14585	100nF 10% X7R 0805 50V
C401	4822 124 40207	100uF 20% 25V
C402	4822 126 13221	100pF 2% NP0 63V
C403	4822 126 13221	100pF 2% NP0 63V
C404	9965 000 12476	0,01uF 50V 20%
C405	9965 000 12524	0,047uF 50V 20%
C406	9965 000 12573	0,022uF 50V 20%
C408	9965 000 12522	4,7uF 50V 20%
C409	9965 000 12522	4,7uF 50V 20%
C410	4822 124 21913	1uF 50V 20%
C411	4822 126 13221	100pF 2% NP0 63V
C412	4822 126 14585	100nF 10% X7R 0805 50V
C413	4822 126 14585	100nF 10% X7R 0805 50V
C414	9965 000 12522	4,7uF 50V 20%
C415	9965 000 12522	4,7uF 50V 20%
C416	4822 124 40248	10uF 20% 63V
C417	4822 124 40248	10uF 20% 63V
C418	4822 126 14585	100nF 10% X7R 0805 50V
C419	9965 000 12476	0,01uF 50V 20%
C420	9965 000 12522	4,7uF 50V 20%
C421	9965 000 12522	4,7uF 50V 20%
C422	4822 126 14585	100nF 10% X7R 0805 50V
C423	9965 000 14448	470uF 50V 20%
C424	9965 000 12588	1000pF 50V 5%
C425	4822 126 14585	100nF 10% X7R 0805 50V
C426	9965 000 12522	4,7uF 50V 20%
C427	4822 126 14585	100nF 10% X7R 0805 50V
C428	9965 000 12588	1000pF 50V 5%
C429	9965 000 12559	100uF 16V 20%
C430	9965 000 14135	0,001uF 50V 10%
C432	4822 126 14585	100nF 10% X7R 0805 50V
C433	9965 000 12522	4,7uF 50V 20%
C434	4822 126 13221	100pF 2% NP0 63V
C435	9965 000 14136	0,1uF 50V 20%
C436	9965 000 14394	56PF 50V 5%
C437	5322 116 80853	560pF 50V 5%
C441	4822 126 13221	100pF 2% NP0 63V
C442	4822 126 13221	100pF 2% NP0 63V
C443	4822 126 13221	100pF 2% NP0 63V
C444	4822 126 13221	100pF 2% NP0 63V
C445	4822 126 13221	100pF 2% NP0 63V
C446	4822 126 13221	100pF 2% NP0 63V
C447	4822 126 13221	100pF 2% NP0 63V
C448	4822 126 13221	100pF 2% NP0 63V

ELECTRICAL PARTS LIST - MAIN BOARD

C500	4822 126 13221	100pF 2% NP0 63V
C501	4822 126 14585	100nF 10% X7R 0805 50V
C502	4822 126 14585	100nF 10% X7R 0805 50V
C504	4822 126 14585	100nF 10% X7R 0805 50V
C506	4822 126 14585	100nF 10% X7R 0805 50V
C510	9965 000 12588	1000pF 50V 5%
C511	9965 000 14138	1uF 25V 10%
C512	4822 126 14585	100nF 10% X7R 0805 50V
C513	4822 126 14585	100nF 10% X7R 0805 50V
C514	9965 000 12588	1000pF 50V 5%
C515	4822 126 14585	100nF 10% X7R 0805 50V
C516	4822 126 14585	100nF 10% X7R 0805 50V
C517	9965 000 14139	10uF 50V 20%
C518	9965 000 14139	10uF 50V 20%
C519	9965 000 14139	10uF 50V 20%
C520	9965 000 14139	10uF 50V 20%
C523	9965 000 14133	1uF 50V 20%
C525	4822 126 14585	100nF 10% X7R 0805 50V
C526	9965 000 14140	1000uF 50V 20%
C527	9965 000 14140	1000uF 50V 20%
C528	9965 000 12588	1000pF 50V 5%
C529	4822 126 13618	330pF 1% NP0 63V
C530	4822 126 13618	330pF 1% NP0 63V
C531	4822 126 13618	330pF 1% NP0 63V
C532	9965 000 14395	0,47uF 50V 20%
C533	9965 000 14395	0,47uF 50V 20%
C534	9965 000 14395	0,47uF 50V 20%
C535	9965 000 14395	0,47uF 50V 20%
C536	9965 000 14133	1uF 50V 20%
C537	9965 000 14133	1uF 50V 20%
C538	9965 000 14133	1uF 50V 20%
C539	9965 000 14133	1uF 50V 20%
C540	9965 000 14133	1uF 50V 20%
C541	9965 000 14133	1uF 50V 20%
C542	9965 000 14133	1uF 50V 20%
C543	9965 000 14133	1uF 50V 20%
C544	9965 000 14133	1uF 50V 20%
C545	9965 000 14137	0,47uF 50V 20%
C546	9965 000 14137	0,47uF 50V 20%
C547	9965 000 14137	0,47uF 50V 20%
C548	9965 000 14220	0,1uF 50V 10%
C549	9965 000 14220	0,1uF 50V 10%
C550	9965 000 14220	0,1uF 50V 10%
C554	9965 000 14220	0,1uF 50V 10%
C555	9965 000 14220	0,1uF 50V 10%
C556	9965 000 14220	0,1uF 50V 10%
C557	4822 126 13221	100pF 2% NP0 63V
C558	4822 126 13221	100pF 2% NP0 63V
C559	4822 126 14585	100nF 10% X7R 0805 50V
C561	4822 126 14585	100nF 10% X7R 0805 50V
C562	4822 126 14585	100nF 10% X7R 0805 50V
C563	9965 000 12522	4,7uF 50V 20%

C566	9965 000 14138	1uF 25V 10%
C567	9965 000 14138	1uF 25V 10%
C568	4822 126 14585	100nF 10% X7R 0805 50V
C569	9965 000 12588	1000pF 50V 5%
C570	4822 126 14585	100nF 10% X7R 0805 50V
C571	9965 000 12588	1000pF 50V 5%
C572	4822 126 14585	100nF 10% X7R 0805 50V
C573	4822 126 14585	100nF 10% X7R 0805 50V
C574	4822 126 14585	100nF 10% X7R 0805 50V
C575	4822 126 14585	100nF 10% X7R 0805 50V
C576	9965 000 14139	10uF 50V 20%
C577	9965 000 14139	10uF 50V 20%
C579	4822 126 14585	100nF 10% X7R 0805 50V
C581	4822 126 14585	100nF 10% X7R 0805 50V
C582	9965 000 12588	1000pF 50V 5%
C583	9965 000 14140	1000uF 50V 20%
C584	9965 000 12588	1000pF 50V 5%
C585	4822 126 13618	330pF 1% NP0 63V
C586	4822 126 13618	330pF 1% NP0 63V
C587	9965 000 12588	1000pF 50V 5%
C588	9965 000 14133	1uF 50V 20%
C589	9965 000 14133	1uF 50V 20%
C590	9965 000 14133	1uF 50V 20%
C591	9965 000 14133	1uF 50V 20%
C592	9965 000 14133	1uF 50V 20%
C593	9965 000 14133	1uF 50V 20%
C594	9965 000 14133	1uF 50V 20%
C595	9965 000 14133	1uF 50V 20%
C596	9965 000 14133	1uF 50V 20%
C598	9965 000 14133	1uF 50V 20%
C599	9965 000 14137	0,47uF 50V 20%
C900	9965 000 12558	220uF 16V 20%
C901	4822 126 14585	100nF 10% X7R 0805 50V
C902	4822 126 14585	100nF 10% X7R 0805 50V
C903	9965 000 12558	220uF 16V 20%
C904	4822 126 14585	100nF 10% X7R 0805 50V
C905	4822 126 14585	100nF 10% X7R 0805 50V
C906	9965 000 12558	220uF 16V 20%
C907	9965 000 12558	220uF 16V 20%
C907	9965 000 14142	470uF 16V 20%
C908	9965 000 12588	1000pF 50V 5%
C909	9965 000 14142	470uF 16V 20%
C910	9965 000 12558	220uF 16V 20%
C911	9965 000 12558	220uF 16V 20%
C912	9965 000 12588	1000pF 50V 5%
C928	4822 126 14585	100nF 10% X7R 0805 50V
C929	4822 126 14585	100nF 10% X7R 0805 50V
C930	4822 126 14585	100nF 10% X7R 0805 50V
C931	4822 126 14585	100nF 10% X7R 0805 50V
C934	9965 000 14136	0,1uF 50V 20%
C935	5322 122 32658	22pF 5% 50V
C936	9965 000 14136	0,1uF 50V 20%

ELECTRICAL PARTS LIST - MAIN BOARD

CAPACITORS

C937	9965 000 14136	0,1uF 50V 20%	C2255	4822 126 14585	100nF 10% X7R 0805 50V
C938	9965 000 14143	1000uF 16V 20%	C2256	4822 126 14585	100nF 10% X7R 0805 50V
C2015	4822 126 14585	100nF 10% X7R 0805 50V	C2257	9965 000 12588	1000pF 50V 5%
C2016	9965 000 12588	1000pF 50V 5%	C2258	4822 126 14585	100nF 10% X7R 0805 50V
C2017	4822 126 14585	100nF 10% X7R 0805 50V	C2259	9965 000 12588	1000pF 50V 5%
C2018	9965 000 12588	1000pF 50V 5%	C2260	4822 126 14585	100nF 10% X7R 0805 50V
C2019	9965 000 12559	100uF 16V 20%	C2261	9965 000 12588	1000pF 50V 5%
C2020	9965 000 12588	1000pF 50V 5%	C2262	9965 000 12588	1000pF 50V 5%
C2021	4822 126 14585	100nF 10% X7R 0805 50V	C2263	4822 126 14585	100nF 10% X7R 0805 50V
C2022	9965 000 12588	1000pF 50V 5%	C2264	4822 126 14585	100nF 10% X7R 0805 50V
C2023	9965 000 12588	1000pF 50V 5%	C2265	4822 126 14585	100nF 10% X7R 0805 50V
C2024	4822 126 14585	100nF 10% X7R 0805 50V	C2268	9965 000 12588	1000pF 50V 5%
C2025	9965 000 12588	1000pF 50V 5%	C2270	9965 000 12588	1000pF 50V 5%
C2026	9965 000 12588	1000pF 50V 5%	C2271	4822 126 14585	100nF 10% X7R 0805 50V
C2027	4822 126 14585	100nF 10% X7R 0805 50V	C2272	9965 000 12588	1000pF 50V 5%
C2028	4822 126 14585	100nF 10% X7R 0805 50V	C2273	4822 126 14585	100nF 10% X7R 0805 50V
C2029	4822 126 14585	100nF 10% X7R 0805 50V	C2274	4822 126 14585	100nF 10% X7R 0805 50V
C2030	9965 000 12588	1000pF 50V 5%	C2275	9965 000 12588	1000pF 50V 5%
C2031	4822 126 14585	100nF 10% X7R 0805 50V	C2276	4822 126 14585	100nF 10% X7R 0805 50V
C2032	4822 126 14585	100nF 10% X7R 0805 50V	C2277	4822 126 14585	100nF 10% X7R 0805 50V
C2033	9965 000 12588	1000pF 50V 5%	C2278	9965 000 12588	1000pF 50V 5%
C2036	4822 126 14585	100nF 10% X7R 0805 50V	C2279	4822 126 14585	100nF 10% X7R 0805 50V
C2052	4822 124 40207	100uF 20% 25V	C2280	9965 000 12588	1000pF 50V 5%
C2053	4822 126 14585	100nF 10% X7R 0805 50V	C2281	4822 126 14585	100nF 10% X7R 0805 50V
C2056	9965 000 12588	1000pF 50V 5%	C2282	4822 126 14585	100nF 10% X7R 0805 50V
C2062	4822 126 14585	100nF 10% X7R 0805 50V	C2283	4822 126 14585	100nF 10% X7R 0805 50V
C2063	9965 000 12588	1000pF 50V 5%	C2284	4822 126 14585	100nF 10% X7R 0805 50V
C2064	4822 126 14585	100nF 10% X7R 0805 50V	C2285	9965 000 12588	1000pF 50V 5%
C2065	9965 000 12588	1000pF 50V 5%	C2286	9965 000 12588	1000pF 50V 5%
C2066	4822 126 14585	100nF 10% X7R 0805 50V	C2287	9965 000 12588	1000pF 50V 5%
C2073	9965 000 14132	4700uF 50V 20%	C2288	4822 126 14585	100nF 10% X7R 0805 50V
C2074	5322 121 42578	1uF 50V 20%	C2289	9965 000 12588	1000pF 50V 5%
C2076	4822 126 14585	100nF 10% X7R 0805 50V	C2290	4822 126 14585	100nF 10% X7R 0805 50V
C2079	4822 124 40207	100uF 20% 25V	C2291	9965 000 12588	1000pF 50V 5%
C2092	2238 861 18339	33pF 1% 50V	C2292	4822 126 14585	100nF 10% X7R 0805 50V
C2094	2238 861 18339	33pF 1% 50V	C2293	9965 000 12588	1000pF 50V 5%
C2095	9965 000 12588	1000pF 50V 5%	C2294	4822 126 14585	100nF 10% X7R 0805 50V
C2096	4822 126 14585	100nF 10% X7R 0805 50V	C2295	4822 126 14585	100nF 10% X7R 0805 50V
C2164	9965 000 12588	1000pF 50V 5%	C2296	9965 000 12588	1000pF 50V 5%
C2165	9965 000 12588	1000pF 50V 5%	C2297	9965 000 12588	1000pF 50V 5%
C2175	4822 126 14585	100nF 10% X7R 0805 50V	C2298	4822 126 14585	100nF 10% X7R 0805 50V
C2176	9965 000 12588	1000pF 50V 5%	C2299	4822 126 14585	100nF 10% X7R 0805 50V
C2204	4822 126 14585	100nF 10% X7R 0805 50V	C2300	4822 126 14585	100nF 10% X7R 0805 50V
C2208	9965 000 14133	1uF 50V 20%	C2301	9965 000 12588	1000pF 50V 5%
C2216	9965 000 14220	0,1uF 50V 10%	C2302	4822 126 14585	100nF 10% X7R 0805 50V
C2247	4822 126 14585	100nF 10% X7R 0805 50V	C2303	9965 000 12588	1000pF 50V 5%
C2248	9965 000 12588	1000pF 50V 5%	C2304	9965 000 12588	1000pF 50V 5%
C2249	9965 000 12588	1000pF 50V 5%	C2305	9965 000 12588	1000pF 50V 5%
C2250	4822 126 14585	100nF 10% X7R 0805 50V	C2306	4822 126 14585	100nF 10% X7R 0805 50V
C2252	9965 000 12588	1000pF 50V 5%	C2307	9965 000 12588	1000pF 50V 5%
C2253	4822 126 14585	100nF 10% X7R 0805 50V	C5011	9965 000 14137	0,47uF 50V 20%
C2254	9965 000 12588	1000pF 50V 5%	C5012	9965 000 14137	0,47uF 50V 20%

ELECTRICAL PARTS LIST - MAIN BOARD

C5015	9965 000 14220	0,1uF 50V 10%
C5016	9965 000 14220	0,1uF 50V 10%
C5019	9965 000 14138	1uF 25V 10%
C5020	9965 000 14138	1uF 25V 10%
C5021	9965 000 14138	1uF 25V 10%
C5022	9965 000 14138	1uF 25V 10%
C5023	9965 000 14220	0,1uF 50V 10%
C5024	5322 122 32331	1nF 10% 100V
C5801	9965 000 14141	0,01uF 50V +80-20%
C5802	9965 000 14141	0,01uF 50V +80-20%
C5031	9965 000 14162	1uF 25V 20%
C5032	9965 000 14162	1uF 25V 20%
C5033	9965 000 14162	1uF 25V 20%
C5034	9965 000 14162	1uF 25V 20%
C5035	9965 000 14162	1uF 25V 20%
C5036	9965 000 14162	1uF 25V 20%
C5037	9965 000 14162	1uF 25V 20%
C5038	9965 000 14162	1uF 25V 20%
C5039	9965 000 14162	1uF 25V 20%
C5040	9965 000 14162	1uF 25V 20%
C5041	9965 000 14162	1uF 25V 20%
C5042	9965 000 14162	1uF 25V 20%

RESISTORS

R1	9965 000 12482	47K 1/10W 5%
R2	9965 000 12515	2,2K 1/6W 5% CF
R3	9965 000 12515	2,2K 1/6W 5% CF
R41	4822 117 11373	100R 1% RC12H 0805
R42	4822 117 11373	100R 1% RC12H 0805
R103	4822 051 20122	1,2K 5% 0,1W
R105	4822 051 20008	OR JUMPER 0805
R107	4822 051 20008	OR JUMPER 0805
R108	4822 051 20301	300R 5% 0,1W
R109	4822 051 20472	4,7K 5% 0,1W
R111	2322 734 63309	33R 1/10W 5%
R112	2322 734 63309	33R 1/10W 5%
R113	2322 734 63309	33R 1/10W 5%
R114	4822 051 20472	4,7K 5% 0,1W
R116	4822 051 20472	4,7K 5% 0,1W
R118	4822 051 20472	4,7K 5% 0,1W
R120	4822 051 20472	4,7K 5% 0,1W
R121	4822 051 20102	1K 5% 0,1W
R122	2322 734 63309	33R 1/10W 5%
R123	2322 734 63309	33R 1/10W 5%
R124	2322 734 63309	33R 1/10W 5%
R125	2322 734 63309	33R 1/10W 5%
R126	2322 734 63309	33R 1/10W 5%
R129	4822 117 11504	270R 1% 0,1W
R130	4822 051 20102	1K 5% 0,1W
R131	4822 117 11927	75R 1% 0,1W
R132	4822 117 11927	75R 1% 0,1W
R133	4822 117 11927	75R 1% 0,1W

R134	4822 117 11927	75R 1% 0,1W
R135	4822 051 20008	OR JUMPER 0805
R137	2322 734 63309	33R 1/10W 5%
R139	2322 734 63309	33R 1/10W 5%
R143	4822 051 20008	OR JUMPER 0805
R144	4822 051 20472	4,7K 5% 0,1W
R145	4822 051 20472	4,7K 5% 0,1W
R146	4822 051 20008	OR JUMPER 0805
R147	2322 734 63309	33R 1/10W 5%
R148	2322 734 63309	33R 1/10W 5%
R149	2322 734 63309	33R 1/10W 5%
R150	2322 734 63309	33R 1/10W 5%
R151	2322 734 63309	33R 1/10W 5%
R152	2322 734 63309	33R 1/10W 5%
R153	2322 734 63309	33R 1/10W 5%
R154	2322 734 63309	33R 1/10W 5%
R155	2322 734 63309	33R 1/10W 5%
R156	2322 734 63309	33R 1/10W 5%
R157	2322 734 63309	33R 1/10W 5%
R158	2322 734 63309	33R 1/10W 5%
R159	4822 117 13577	330R 1% RC12H 0805 1,25W
R160	2322 734 63309	33R 1/10W 5%
R161	2322 734 63309	33R 1/10W 5%
R162	2322 734 63309	33R 1/10W 5%
R163	4822 051 20479	47R 5% 0,1W
R164	2322 734 63309	33R 1/10W 5%
R171	4822 051 20223	22K 5% 0,1W
R172	9965 000 12482	47K 1/10W 5%
R177	4822 051 20109	10R 5% 0,1W
R178	2322 734 63309	33R 1/10W 5%
R179	2322 734 63309	33R 1/10W 5%
R180	4822 051 20102	1K 5% 0,1W
R181	4822 051 20332	3,3K 5% 0,1W
R182	4822 051 20102	1K 5% 0,1W
R183	4822 051 20472	4,7K 5% 0,1W
R184	4822 051 20472	4,7K 5% 0,1W
R185	4822 051 20472	4,7K 5% 0,1W
R186	4822 051 20472	4,7K 5% 0,1W
R187	4822 051 20109	10R 5% 0,1W
R189	2322 734 63309	33R 1/10W 5%
R191	4822 051 20008	OR JUMPER 0805
R193	4822 051 20008	OR JUMPER 0805
R248	4822 051 20223	22K 5% 0,1W
R400	9965 000 14161	200R 1/10W 5%
R401	4822 117 11373	100R 1% RC12H 0805
R402	4822 051 20472	4,7K 5% 0,1W
R403	4822 117 11373	100R 1% RC12H 0805
R404	4822 117 11373	100R 1% RC12H 0805
R405	4822 116 83933	15K 1% 0,1W
R406	4822 116 83933	15K 1% 0,1W
R407	4822 116 83933	15K 1% 0,1W
R408	4822 116 83933	15K 1% 0,1W

ELECTRICAL PARTS LIST - MAIN BOARD

RESISTORS

R409	9965 000 12484	10K 1/10W 5%	R519	4822 051 10229	22R 2% 0,25W
R410	4822 117 11373	100R 1% RC12H 0805	R520	4822 051 10229	22R 2% 0,25W
R411	4822 117 11139	1,5K 1% 0,1W	R521	4822 051 10229	22R 2% 0,25W
R412	4822 051 20102	1K 5% 0,1W	R522	9965 000 14163	6,2R 1/4W 5%
R413	4822 051 20102	1K 5% 0,1W	R523	9965 000 14163	6,2R 1/4W 5%
R414	4822 117 11373	100R 1% RC12H 0805	R524	9965 000 14163	6,2R 1/4W 5%
R415	4822 117 11373	100R 1% RC12H 0805	R525	9965 000 14163	6,2R 1/4W 5%
R417	4822 116 83933	15K 1% 0,1W	R526	9965 000 14163	6,2R 1/4W 5%
R418	4822 116 83933	15K 1% 0,1W	R527	9965 000 12484	10K 1/10W 5%
R419	9965 000 12484	10K 1/10W 5%	R528	9965 000 12484	10K 1/10W 5%
R420	4822 051 20472	4,7K 5% 0,1W	R529	4822 051 20202	2K 5% 0,1W
R421	9965 000 12484	10K 1/10W 5%	R530	4822 051 20202	2K 5% 0,1W
R424	4822 051 20008	0R JUMPER 0805	R531	9965 000 12484	10K 1/10W 5%
R425	4822 117 11148	56K 1% 0,1W	R532	9965 000 12484	10K 1/10W 5%
R427	4822 116 83933	15K 1% 0,1W	R533	4822 051 20102	1K 5% 0,1W
R428	4822 116 83933	15K 1% 0,1W	R534	4822 117 11373	100R 1% RC12H 0805
R429	9965 000 12484	10K 1/10W 5%	R900	9965 000 12484	10K 1/10W 5%
R430	4822 051 20472	4,7K 5% 0,1W	R901	9965 000 12484	10K 1/10W 5%
R431	4822 051 20102	1K 5% 0,1W	R902	4822 051 20223	22K 5% 0,1W
R432	4822 051 20472	4,7K 5% 0,1W	R903	4822 051 20102	1K 5% 0,1W
R433	4822 051 20472	4,7K 5% 0,1W	R905	9965 000 12484	10K 1/10W 5%
R434	4822 051 20472	4,7K 5% 0,1W	R906	9965 000 12484	10K 1/10W 5%
R435	4822 051 20472	4,7K 5% 0,1W	R907	4822 051 20223	22K 5% 0,1W
R436	4822 051 20102	1K 5% 0,1W	R908	4822 051 20102	1K 5% 0,1W
R439	4822 051 20472	4,7K 5% 0,1W	R919	9965 000 12484	10K 1/10W 5%
R440	4822 051 20471	470R 5% 0,1W	R920	9965 000 12484	10K 1/10W 5%
R441	4822 051 20471	470R 5% 0,1W	R921	4822 051 20223	22K 5% 0,1W
R442	9965 000 12482	47K 1/10W 5%	R922	4822 051 20561	560R 5% 0,1W
R443	9965 000 12484	10K 1/10W 5%	R923	9965 000 12484	10K 1/10W 5%
R444	9965 000 12484	10K 1/10W 5%	R924	9965 000 12484	10K 1/10W 5%
R446	4822 051 20472	4,7K 5% 0,1W	R925	4822 051 20223	22K 5% 0,1W
R448	4822 051 20472	4,7K 5% 0,1W	R926	4822 051 20102	1K 5% 0,1W
R449	4822 051 20472	4,7K 5% 0,1W	R996	9965 000 12484	10K 1/10W 5%
R500	4822 051 20472	4,7K 5% 0,1W	R2018	9965 000 12484	10K 1/10W 5%
R501	4822 051 20105	1M 5% 0,1W	R2061	4822 117 11139	1,5K 1% 0,1W
R502	9965 000 12484	10K 1/10W 5%	R2108	2322 734 63309	33R 1/10W 5%
R503	9965 000 12484	10K 1/10W 5%	RP100	9965 000 12486	33R X 4 1/10W 5%
R504	9965 000 12484	10K 1/10W 5%	RP101	9965 000 14449	47R X 4 1/10W 5%
R505	4822 051 10229	22R 2% 0,25W	RP102	9965 000 14449	47R X 4 1/10W 5%
R506	4822 051 10229	22R 2% 0,25W	RP103	9965 000 12486	33R X 4 1/10W 5%
R507	4822 051 10229	22R 2% 0,25W	RP104	9965 000 12486	33R X 4 1/10W 5%
R508	9965 000 14163	6,2R 1/4W 5%	RP105	9965 000 12486	33R X 4 1/10W 5%
R509	9965 000 14163	6,2R 1/4W 5%	RP106	9965 000 12486	33R X 4 1/10W 5%
R510	9965 000 14163	6,2R 1/4W 5%	RP107	9965 000 12487	10R X 4 1/10W 5%
R511	9965 000 14163	6,2R 1/4W 5%	RP108	9965 000 12486	33R X 4 1/10W 5%
R512	9965 000 14163	6,2R 1/4W 5%	RP109	9965 000 12487	10R X 4 1/10W 5%
R513	9965 000 14163	6,2R 1/4W 5%	RP110	9965 000 12487	10R X 4 1/10W 5%
R514	9965 000 14163	6,2R 1/4W 5%			
R515	4822 051 20472	4,7K 5% 0,1W			
R516	9965 000 12482	47K 1/10W 5%			
R517	9965 000 12482	47K 1/10W 5%			
R518	9965 000 12484	10K 1/10W 5%			

COILS & FILTERS

FB1	9965 000 12470	FE BEAD D3,5 x 6MM
FB100	9965 000 14147	BEAD FERRITE 100R AT 100MHZ
FB101	9965 000 14147	BEAD FERRITE 100R AT 100MHZ

FB103	9965 000 12470	FE BEAD D3,5 x 6MM
FB104	9965 000 12470	FE BEAD D3,5 x 6MM
FB500	9965 000 12470	FE BEAD D3,5 x 6MM
FB502	9965 000 14147	BEAD FERRITE 100R AT 100MHZ
FB503	9965 000 14147	BEAD FERRITE 100R AT 100MHZ
FB900	9965 000 12470	FE BEAD D3,5 x 6MM
FB904	4822 130 31878	1N4003G
L1	9965 000 12568	CHOKE 10uH
L2	9965 000 12568	CHOKE 10uH
L3	9965 000 12568	CHOKE 10uH
L100	9965 000 14156	COIL 2,4uH 5% SMD 0805
L101	9965 000 14156	COIL 2,4uH 5% SMD 0805
L102	9965 000 14156	COIL 2,4uH 5% SMD 0805
L103	9965 000 14156	COIL 2,4uH 5% SMD 0805
L400	9965 000 12568	CHOKE 10uH
L401	9965 000 12568	CHOKE 10uH
L500	9965 000 14131	CHOKE COIL 30uH 2A
L501	9965 000 14131	CHOKE COIL 30uH 2A
L502	9965 000 14131	CHOKE COIL 30uH 2A
L503	9965 000 14131	CHOKE COIL 30uH 2A
L504	9965 000 14158	CHOKE COIL 20uH 2A
L507	9965 000 14159	INDUCTOR 4 PIN 8,1X5,73X3MM
L508	9965 000 14159	INDUCTOR 4 PIN 8,1X5,73X3MM
L509	9965 000 14159	INDUCTOR 4 PIN 8,1X5,73X3MM
L513	9965 000 14160	COIL 150uH 10%
L514	9965 000 14160	COIL 150uH 10%
L515	9965 000 14159	INDUCTOR 4 PIN 8,1X5,73X3MM
L2005	9965 000 14157	COIL 10uH 10% SMD 0805
L2008	9965 000 12568	CHOKE 10uH
L2009	9965 000 14147	BEAD FERRITE 100R AT 100MHZ
L2010	9965 000 14147	BEAD FERRITE 100R AT 100MHZ
L2032	9965 000 14158	CHOKE COIL 20uH 2A
L2034	9965 000 14158	CHOKE COIL 20uH 2A
L2036	9965 000 14158	CHOKE COIL 20uH 2A
L2037	9965 000 14158	CHOKE COIL 20uH 2A
L2038	9965 000 14158	CHOKE COIL 20uH 2A
L2045	9965 000 14159	INDUCTOR 4 PIN 8,1X5,73X3MM

DIODES

D1	9965 000 12554	ZENER 3,8-4,0V 0,5W
D100	4822 130 30621	1N4148
D101	9965 000 14146	ZENER 6,4-6,7V 0,5W
D102	9965 000 14146	ZENER 6,4-6,7V 0,5W
D103	9965 000 14146	ZENER 6,4-6,7V 0,5W
D104	9965 000 14146	ZENER 6,4-6,7V 0,5W
D105	9965 000 14146	ZENER 6,4-6,7V 0,5W
D106	9965 000 14146	ZENER 6,4-6,7V 0,5W
D107	9965 000 14146	ZENER 6,4-6,7V 0,5W
D108	9965 000 14146	ZENER 6,4-6,7V 0,5W
D400	4822 130 30621	1N4148
D404	4822 130 30621	1N4148
D405	4822 130 30621	1N4148

D407	4822 130 30621	1N4148
D408	4822 130 30621	1N4148
D409	4822 130 30621	1N4148
D410	4822 130 30621	1N4148
D411	4822 130 31438	1N4001
D412	4822 130 31438	1N4001
D910	4822 130 31878	1N4003G
Z2001	4822 130 34233	BZX79-B5V1
ZD100	4822 130 34233	BZX79-B5V1
ZD401	9965 000 14168	ZENER 2,9~3,1V 0,5W
ZD402	4822 130 10851	HZ24-2

TRANSISTORS & INTEGRATED CIRCUITS

IC100	9965 000 12489	EEPROM AM29F080B-90CE
IC101	9965 000 14148	TC74HC04AFN
IC102	9965 000 12494	74HC374
IC103	9965 000 12495	ES6018 MICRO CPU
IC104	9965 000 12494	74HC374
IC105	9965 000 12497	EEPROM AT24C02
IC106	9965 000 12499	SYNCHRO, DRAM 4MX16 Y3V TW
IC400	4822 209 61677	TC4052BP
IC401	9965 000 12491	JRC4558D JRC
IC402	9965 000 14149	TLV320A IC23PW
IC408	9965 000 14150	IC 3PIN MAX809 SOT23
IC500	9965 000 14151	74LVT126 3,3V
IC501	9965 000 14152	74LVT125 3,3V
IC502	9965 000 14153	STA304A
IC503	9965 000 14154	STA505 50W X2
IC504	9965 000 14154	STA505 50W X2
IC505	9965 000 14153	STA304A
IC506	9965 000 14154	STA505 50W X2
IC900	9965 000 12512	BA05T
IC901	9965 000 12512	BA05T
IC914	9965 000 12493	BA033T REGULATOR 3,3V 1A
Q101	4822 130 41651	2SC2001L
Q102	4822 130 41198	2SC945P
Q2007	4822 130 41198	2SC945P
Q400	4822 130 41198	2SC945P
Q401	4822 130 43818	2SC2878-A
Q402	4822 130 43818	2SC2878-A
Q403	4822 130 43818	2SC2878-A
Q404	4822 130 63876	2SA733R
Q900	4822 130 41198	2SC945P
Q903	4822 130 63876	2SA733R
Q904	4822 130 41198	2SC945P
Q905	4822 130 63876	2SA733R
Q906	4822 130 41198	2SC945P
Q907	4822 130 10358	2SB772P/Q
Q908	4822 130 41198	2SC945P
Q909	4822 130 10358	2SB772P/Q

Note: Only the parts mentioned in this list are normal service spare parts.

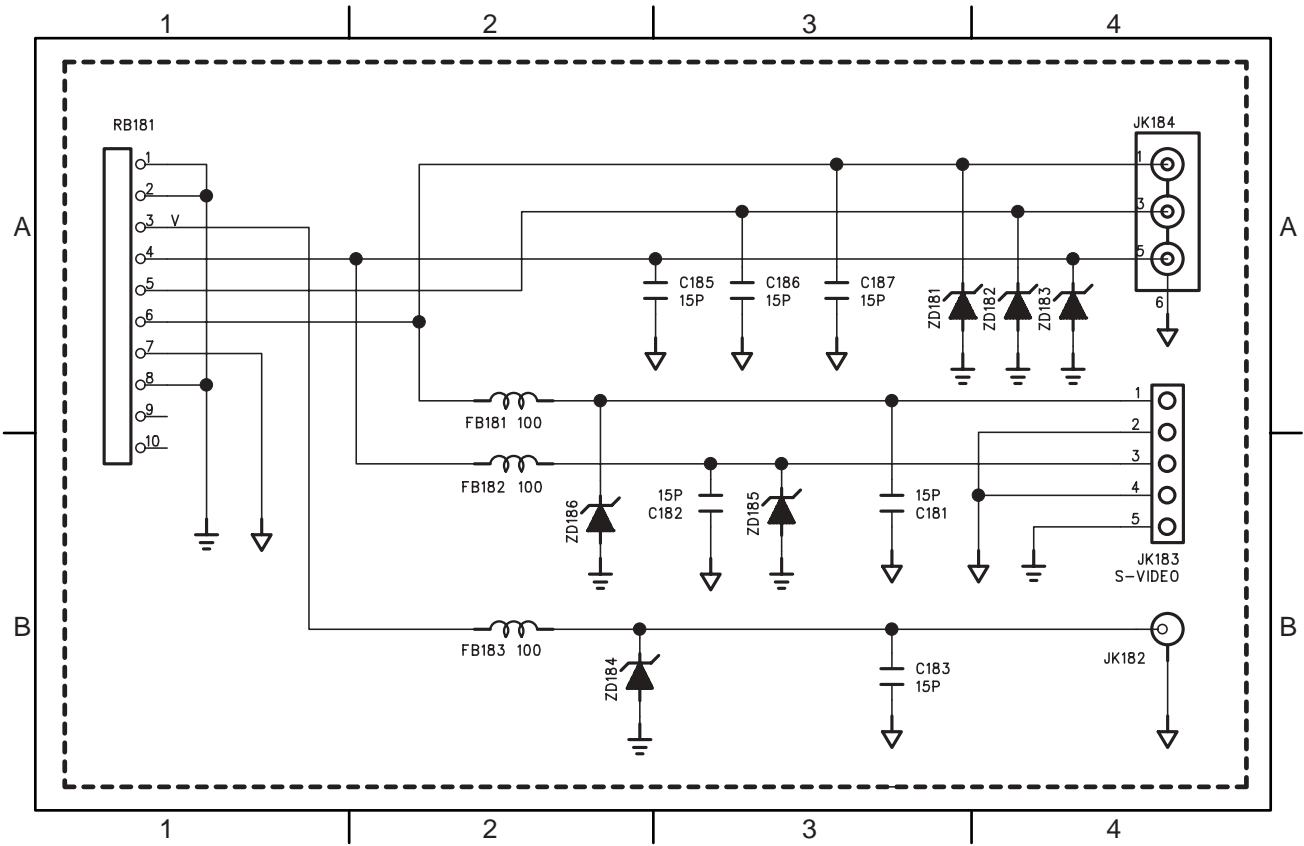
SCART & RGB BOARD

TABLE OF CONTENTS

RGB Circuit Diagram (For /37, /37S only)	9-2
RGB Board Layout (For /37, /37S only)	9-2
Scart Circuit Diagram (For /22S only)	9-3
Scart Board Layout (For /22S only)	9-3
Electrical Parts List(RGB & SCART)	9-4

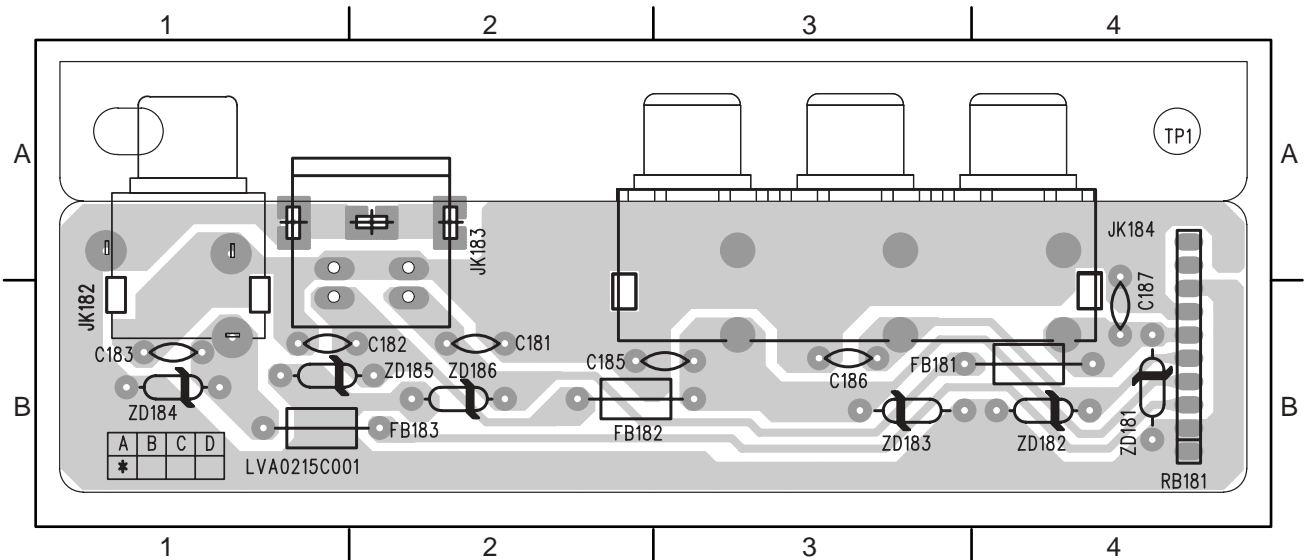
CIRCUIT DIAGRAM - RGB BOARD (For /37, /37S only)

C187	A3	C183	B3	FB181	A2	JK182	B4	RB181	A1	ZD183	A4	ZD186	B2
C181	B3	C185	A3	FB182	B2	JK183	B4	ZD181	A3	ZD184	B2		
C182	B3	C186	A3	FB183	B2	JK184	A4	ZD182	A4	ZD185	B3		



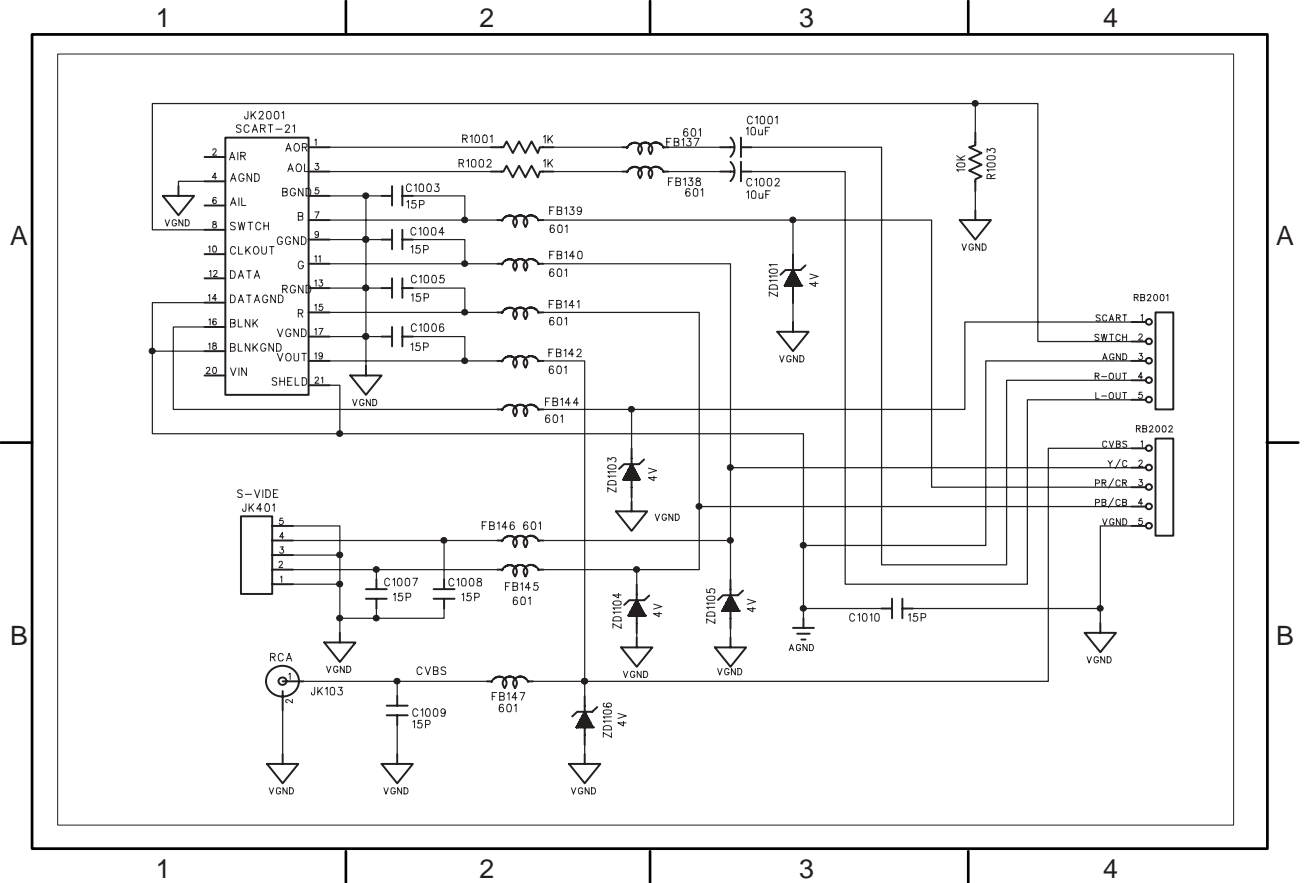
PCB LAYOUT - RGB BOARD (For /37, /37S only)

C187	A3	C183	B3	FB181	A2	JK182	B4	RB181	A1	ZD183	A4	ZD186	B2
C181	B3	C185	A3	FB182	B2	JK183	B4	ZD181	A3	ZD184	B2		
C182	B3	C186	A3	FB183	B2	JK184	A4	ZD182	A4	ZD185	B3		



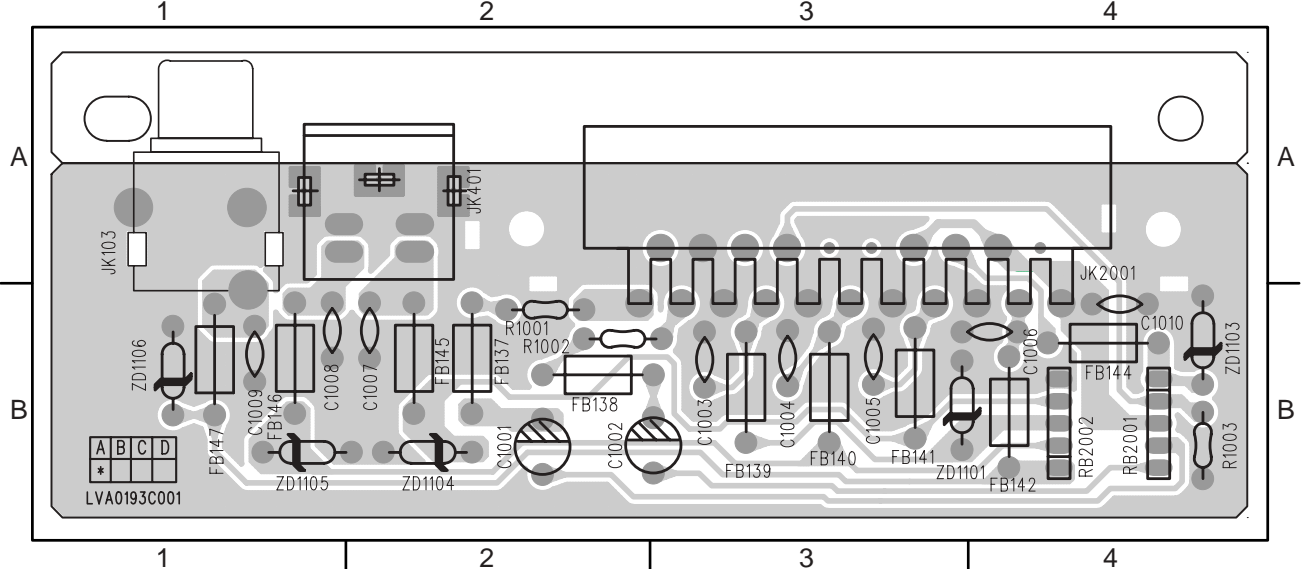
CIRCUIT DIAGRAM - SCART BOARD (For /22S only)

C1001	B2	C1006	B4	FB137	B2	FB142	B4	JK103	A1	R1003	B4	ZD1104	B2
C1002	B2	C1007	B2	FB138	B2	FB144	B4	JK401	A2	RB2001	B4	ZD1105	B1
C1003	B3	C1008	B1	FB139	B3	FB145	B2	JK2001	A4	RB2002	B4	ZD1106	B1
C1004	B3	C1009	B1	FB140	B3	FB146	B1	R1001	B2	ZD1101	B3		
C1005	B3	C1010	B4	FB141	B3	FB147	B1	R1002	B2	ZD1103	B4		



PCB LAYOUT - SCART BOARD (For /22S only)

C1001	B2	C1006	B4	FB137	B2	FB142	B4	JK103	A1	R1003	B4	ZD1104	B2
C1002	B2	C1007	B2	FB138	B2	FB144	B4	JK401	A2	RB2001	B4	ZD1105	B1
C1003	B3	C1008	B1	FB139	B3	FB145	B2	JK2001	A4	RB2002	B4	ZD1106	B1
C1004	B3	C1009	B1	FB140	B3	FB146	B1	R1001	B2	ZD1101	B3		
C1005	B3	C1010	B4	FB141	B3	FB147	B1	R1002	B2	ZD1103	B4		



ELECTRICAL PARTS LIST - RGB BOARD (FOR /37 & /37S VERSIONS ONLY)**MISCELLANEOUS**

JK182	9965 000 14211	VIDEO OUTPUT YEL
JK183	9965 000 12607	DIN JACK, S-VIDEO OUT
JK184	9965 000 12609	RCA JACK R/G/B

CAPACITORS

C181	9965 000 12590	15pF 50V 5%
C182	9965 000 12590	15pF 50V 5%
C183	9965 000 12590	15pF 50V 5%
C185	9965 000 12590	15pF 50V 5%
C186	9965 000 12590	15pF 50V 5%
C187	9965 000 12590	15pF 50V 5%

COILS & FILTERS

FB181	9965 000 12470	FE BEAD D3,5 x 6MM
FB182	9965 000 12470	FE BEAD D3,5 x 6MM
FB183	9965 000 12470	FE BEAD D3,5 x 6MM

DIODES

ZD181	4822 130 31554	BZX79-B4V3
ZD182	4822 130 31554	BZX79-B4V3
ZD183	4822 130 31554	BZX79-B4V3
ZD184	4822 130 31554	BZX79-B4V3
ZD185	4822 130 31554	BZX79-B4V3
ZD186	4822 130 31554	BZX79-B4V3

Note: Only the parts mentioned in this list are normal service spare parts.

ELECTRICAL PARTS LIST - SCART BOARD (FOR /22S VERSION ONLY)**MISCELLANEOUS**

JK101	9965 000 12611	SCART SOCKET
JK103	9965 000 14211	VIDEO OUTPUT YEL
JK401	9965 000 12607	DIN JACK, S-VIDEO OUT

CAPACITORS

C1001	4822 124 40248	10uF20% 63V
C1002	4822 124 40248	10uF20% 63V
C1003	9965 000 12590	15pF 50V 5%
C1004	9965 000 12590	15pF 50V 5%
C1005	9965 000 12590	15pF 50V 5%
C1006	9965 000 12590	15pF 50V 5%
C1007	9965 000 12590	15pF 50V 5%
C1008	9965 000 12590	15pF 50V 5%
C1009	9965 000 12590	15pF 50V 5%
C1010	9965 000 12590	15pF 50V 5%
C1011	9965 000 12590	15pF 50V 5%

RESISTORS

R1001	9965 000 12519	1K OHM 1/6W 5% CF
R1002	9965 000 12519	1K OHM 1/6W 5% CF
R1003	4822 050 21003	10K00 1% 0,6W

COILS & FILTERS

FB137	9965 000 12470	BEAD FERITE 100R/ AT 100MHZ
FB138	9965 000 12470	BEAD FERITE 100R/ AT 100MHZ
FB139	9965 000 12470	BEAD FERITE 100R/ AT 100MHZ
FB140	9965 000 12470	BEAD FERITE 100R/ AT 100MHZ
FB141	9965 000 12470	BEAD FERITE 100R/ AT 100MHZ
FB142	9965 000 12470	BEAD FERITE 100R/ AT 100MHZ
FB144	9965 000 12470	BEAD FERITE 100R/ AT 100MHZ
FB145	9965 000 12470	BEAD FERITE 100R/ AT 100MHZ

FB146	9965 000 12470	BEAD FERITE 100R/ AT 100MHZ
FB147	9965 000 12470	BEAD FERITE 100R/ AT 100MHZ

DIODES

ZD1101	9965 000 12554	ZENER 3.8-4.0V 0.5W
ZD1102	9965 000 12554	ZENER 3.8-4.0V 0.5W
ZD1103	9965 000 12554	ZENER 3.8-4.0V 0.5W
ZD1104	9965 000 12554	ZENER 3.8-4.0V 0.5W
ZD1105	9965 000 12554	ZENER 3.8-4.0V 0.5W
ZD1106	9965 000 12554	ZENER 3.8-4.0V 0.5W

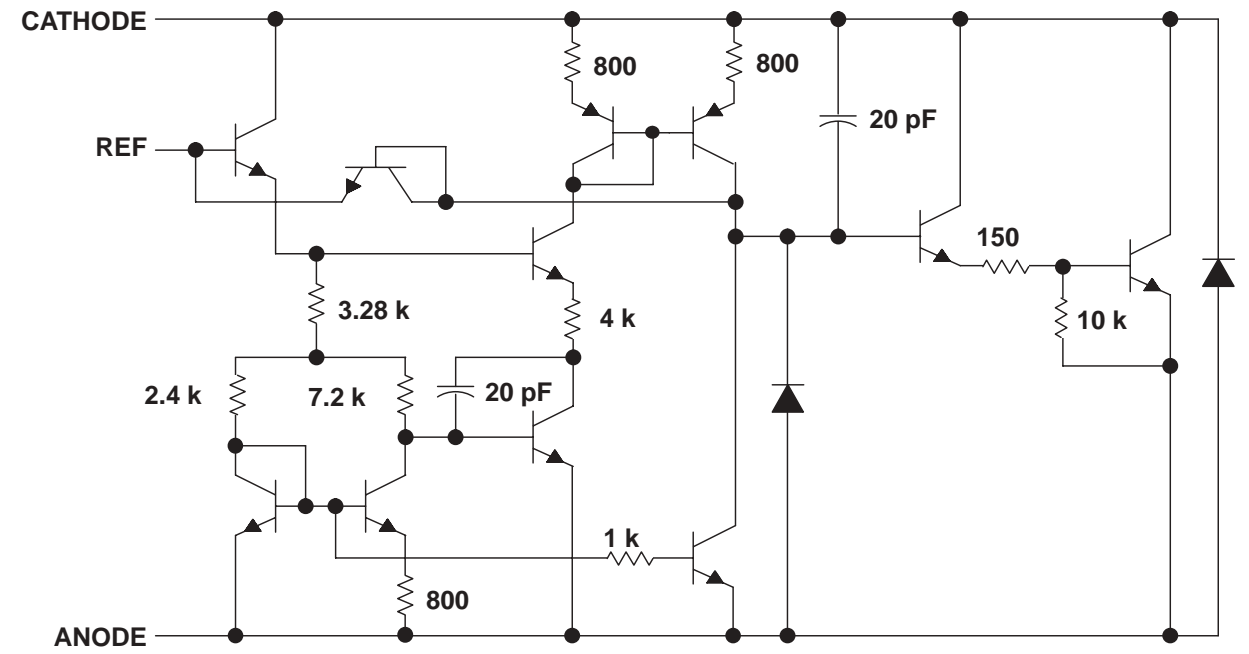
Note: Only the parts mentioned in this list are normal service spare parts.

POWER BOARD

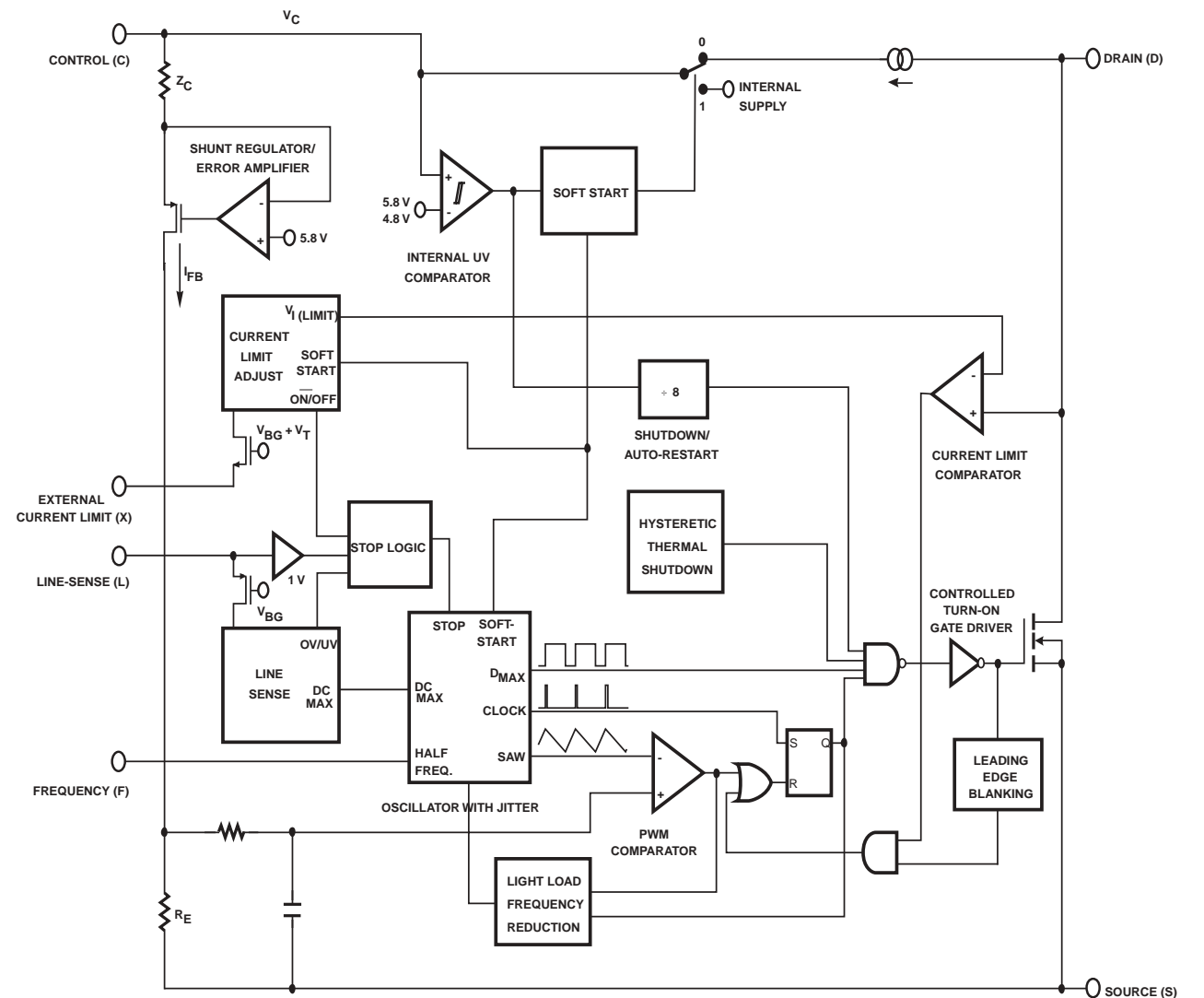
TABLE OF CONTENTS

Internal IC Diagram.....	10-1
Circuit Diagram	10-2
PCB Layout.....	10-3
Electrical Parts List.....	10-4

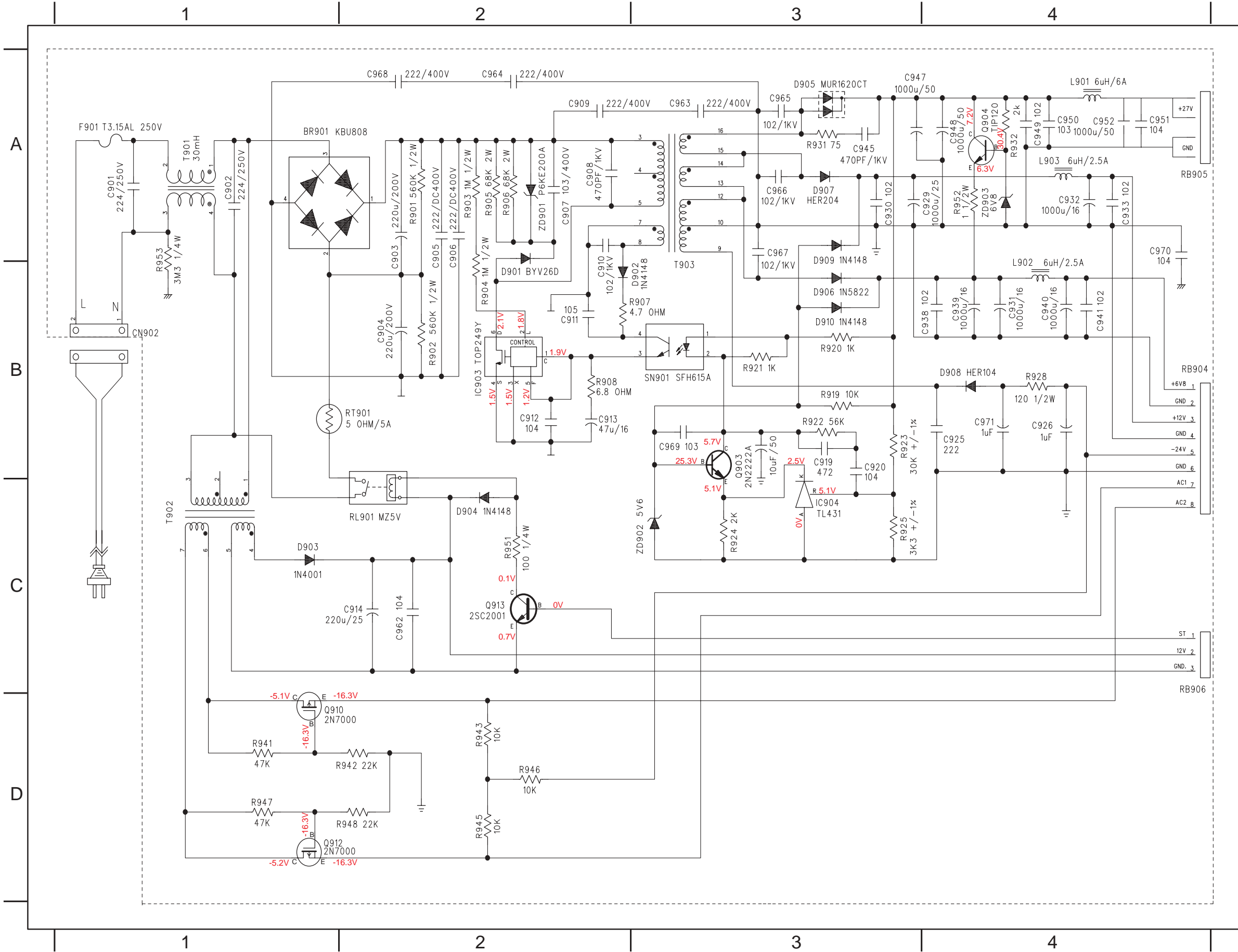
TL431 EQUIVALENT SCHEMATIC



TOP249 BLOCK DIAGRAM



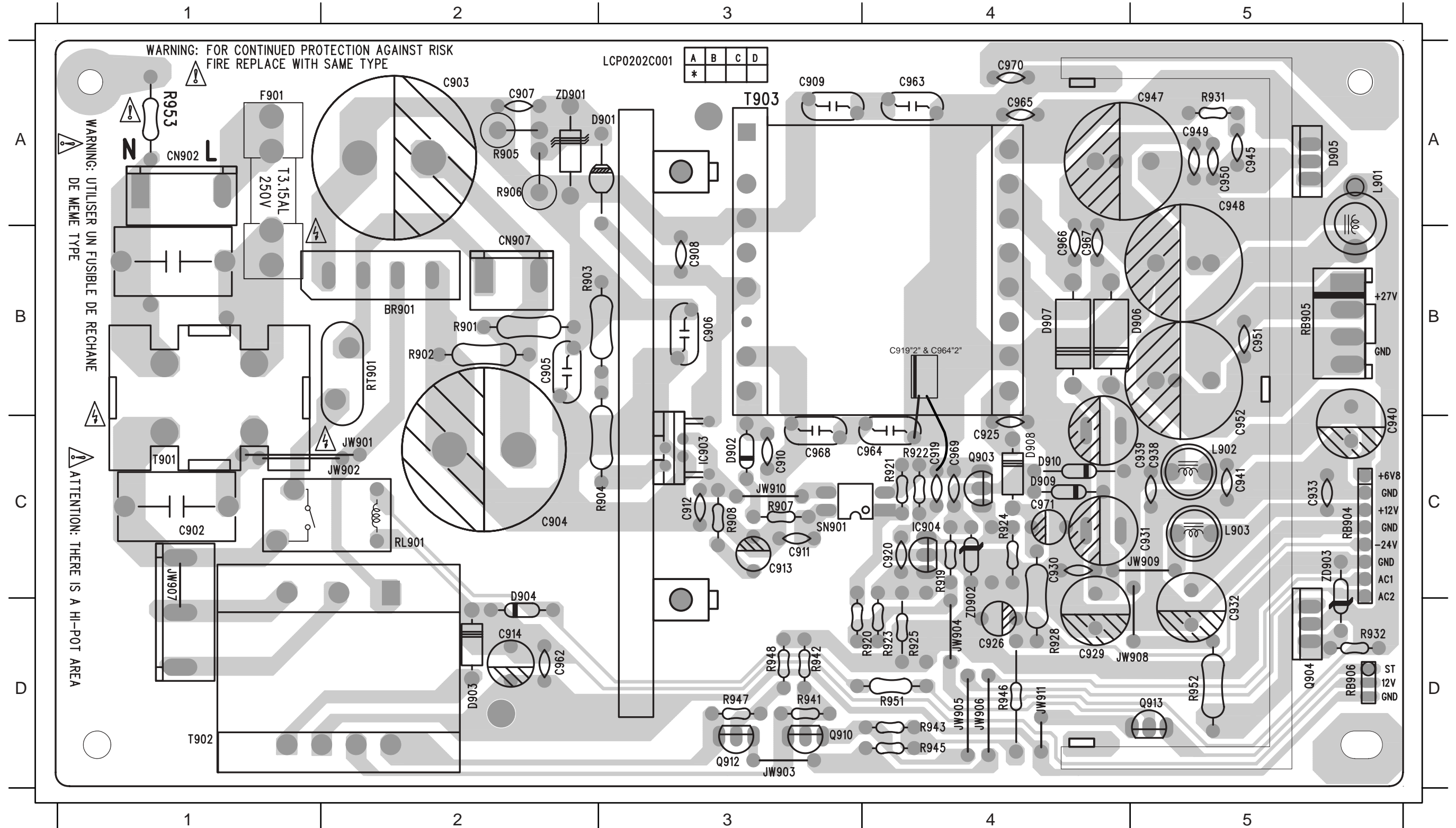
CIRCUIT DIAGRAM



BR901	A1	F901	A1
C901	A1	IC903	B2
C902	A1	IC904	C3
C903	A2	L901	A4
C904	B2	L902	A4
C905	A2	L903	A4
C906	A2	Q903	B3
C907	A2	Q904	A4
C908	A2	Q910	D1
C909	A2	Q912	D1
C910	B2	Q913	C2
C911	B2	R901	A2
C912	B2	R902	B2
C913	B2	R903	A2
C914	C2	R904	B2
C919	B3	R905	A2
C920	B3	R906	A2
C925	B4	R907	B3
C926	B4	R908	B2
C929	A4	R919	B3
C930	A3	R920	B3
C931	B4	R921	B3
C932	A4	R922	B3
C933	A4	R923	B3
C938	B4	R924	C3
C939	B4	R925	C3
C940	B4	R928	B4
C941	B4	R931	A3
C945	A3	R932	A4
C947	A3	R941	D1
C948	A4	R942	D2
C949	A4	R943	D2
C950	A4	R945	D2
C951	A4	R946	D1
C952	A4	R947	D1
C962	C2	R948	D2
C963	A3	R951	C2
C964	A2	R952	A4
C965	A3	R953	A1
C966	A3	RB904	B4
C967	A3	RB905	A4
C968	A2	RB906	C4
C969	B3	RT901	B2
C970	A4	RL901	C2
C971	B4	SN901	B3
CN902	B1	T901	A1
D901	B2	T902	C1
D902	B3	T903	B3
D903	C1	ZD901	A2
D904	C2	ZD902	C3
D905	A3	ZD903	A4
D906	B3		
D907	A3		
D908	B4		
D909	A3		
D910	B3		

POWER PCB LAYOUT

BR901	B2	C910	C3	C930	C4	C948	A5	C967	B4	D903	D2	IC903	C3	JW909	C5	Q913	D5	R920	D4	R942	D3	RB905	B5	ZD903	C5
C901	B1	C911	C3	C931	C5	C949	A5	C968	C3	D904	D2	IC904	C4	JW910	C3	R901	B2	R921	C4	R943	D4	RB906	D5		
C902	C1	C912	C3	C932	D5	C950	A5	C969	C4	D905	A5	JW901	C2	JW911	D4	R902	B2	R922	C4	R945	D4	RT901	B2		
C903	A2	C913	C3	C933	C5	C951	B5	C970	A4	D906	B4	JW902	C2	L901	A5	R903	B2	R923	D4	R946	D4	RL901	C2		
C904	C2	C914	D2	C938	C5	C952	B5	C971	C4	D907	B4	JW903	D3	L902	C5	R904	C3	R924	C4	R947	D3	SN901	C3		
C905	B2	C919	C4	C939	C5	C962	D2	C919"2" & C964"2" B4		D908	C4	JW904	D4	L903	C5	R905	A2	R925	D4	R948	D3	T901	C1		
C906	B3	C920	C4	C940	C5	C963	A4	CN902	A1	D909	C4	JW905	D4	Q903	C4	R906	A2	R928	D4	R951	D4	T902	D1		
C907	A2	C925	C4	C941	C5	C964	C4	CN907	B2	D910	C4	JW906	D4	Q904	D5	R907	C3	R931	A5	R952	D5	T903	A3		
C908	B3	C926	D4	C945	A5	C965	A4	D901	A3	F901	A1	JW907	C1	Q910	D3	R908	C3	R932	D5	R953	A1	ZD901	A2		
C909	A3	C929	D4	C947	A5	C966	B4	D902	C3			JW908	D5	Q912	D3	R919	C4	R941	D3	RB904	C5	ZD902	D4		



ELECTRICAL PARTS LIST - POWER BOARD

MISCELLANEOUS

CN902	9965 000 12636	△	CONNECTOR 4 PIN P=3,96MM
F901	9965 000 12500	△	FUSE T3,15A 250V SLOW
RB905	9965 000 14203	△	WIRE W/PLUG 4P 120MM
RL901	9965 000 09708	△	RELAY GJ-SH-112DM 320R
RT901	9965 000 14204	△	NTC THERMISTER 50HM 5A D13MM
SN901	9965 000 14205	△	SFH615A-3

CAPACITORS

C901	9965 000 14177	△	0,22uF 250V 20%
C902	9965 000 14177	△	0,22uF 250V 20%
C903	9965 000 14178	△	220uF 250V 20%
C904	9965 000 14178	△	220uF 250V 20%
C905	9965 000 14179	△	0,0022uF 400V 20%
C906	9965 000 14179	△	0,0022uF 400V 20%
C907	9965 000 14180		0,01uF 1KV 20%
C908	9965 000 14181		470pF 1KV 10%
C909	9965 000 14179	△	0,0022uF 400V 20%
C910	9965 000 14182		0,001uF 1KV 20%
C911	9965 000 14183		1,0uF 50V 20%
C912	9965 000 12529		0,1uF 50V +80-20%
C913	4822 124 40433		47uF 20% 25V
C914	9965 000 12533		220uF 25V 20%
C919	9965 000 12528		4700pF 50V 10%
C919"2"	9965 000 14184		10uF 50V 20% (BACK SOLDER)
C920	9965 000 12529		0,1uF 50V +80-20%
C925	9965 000 14182		0,001uF 1KV 20%
C926	4822 124 21913		1uF 20% 63V
C929	9965 000 12530		1000uF 25V 20% D=10
C930	5322 122 32331		1nF 10% 100V
C931	9965 000 14143		1000uF 16V 20% 85°C
C932	9965 000 14143		1000uF 16V 20% 85°C
C933	5322 122 32331		1nF 10% 100V
C938	5322 122 32331		1nF 10% 100V
C939	9965 000 14143		1000uF 16V 20% 85°C
C940	9965 000 14143		1000uF 16V 20% 85°C
C941	5322 122 32331		1nF 10% 100V
C945	9965 000 14181		470pF 1KV 10%
C947	9965 000 14140		1000uF 50V 20%
C948	9965 000 14140		1000uF 50V 20%
C949	5322 122 32331		1nF 10% 100V
C950	9965 000 14185		0,01uF 50V 10%
C951	9965 000 12529		0,1uF 50V +80-20%
C952	9965 000 14140		1000uF 50V 20%
C962	9965 000 12529		0,1uF 50V +80-20%
C963	9965 000 14179	△	0,0022uF 400V 20%
C964	9965 000 14179	△	0,0022uF 400V 20%
C964"2"	9965 000 14184		10uF 50V 20% (BACK SOLDER)
C965	9965 000 14182		0,001uF 1KV 20%
C966	9965 000 14182		0,001uF 1KV 20%
C967	9965 000 14182		0,001uF 1KV 20%
C968	9965 000 14179	△	0,0022uF 400V 20%
C969	9965 000 14185		0,01uF 50V 10%

C970	9965 000 12529		0,1uF 50V +80-20%
C971	4822 124 21913		1uF 20% 63V

RESISTORS

R901	9965 000 14192		560K 1/2W 5%
R902	9965 000 14192		560K 1/2W 5%
R903	9965 000 14193		1M 1/2W 5% CF
R904	9965 000 14193		1M 1/2W 5% CF
R905	9965 000 14194		68K 2W 5%
R906	9965 000 14194		68K 2W 5%
R907	9965 000 14195		4,7R 1/6W 5% CF
R908	9965 000 14196		6,8R 1/6W 5%
R919	4822 050 21003		10K 1% 0,6W
R920	9965 000 12519		1K 1/6W 5% CF
R921	9965 000 12519		1K 1/6W 5% CF
R922	9965 000 09727		56K 1/6W 5% CF
R923	9965 000 14197		30K 1/6W 1% MF
R924	9965 000 12621		2K 1/6W 5%
R925	9965 000 14198		2,7K 1/6W 1% MF
R928	9965 000 14199		120R 1/6W 5% CF
R931	9965 000 14200		75R 1/6W 5% CF
R932	9965 000 12621		2K 1/6W 5%
R941	4822 050 24703		47K 1% 0,6W
R942	4822 050 22203		22K 1% 0,6W
R943	4822 050 21003		10K 1% 0,6W
R945	4822 050 21003		10K 1% 0,6W
R946	4822 050 21003		10K 1% 0,6W
R947	4822 050 24703		47K 1% 0,6W
R948	4822 050 22203		22K 1% 0,6W
R951	9965 000 14201		100R 1/4W 5% CF
R952	9965 000 12517		1R 1/2W 5%
R953	9965 000 14202		3,3M 1/2W 5% only /37/37S

COILS & FILTERS

L901	9965 000 14190		COIL 6uH 10,5TS 6A
L902	9965 000 14191		COIL 6uH 13,5TS 2UEW
L903	9965 000 14191		COIL 6uH 13,5TS 2UEW
T901	9965 000 14206	△	M/FILTER 1,7A L1:86TS L2:86TS
T902	9965 000 14207	△	STANDBY TRANSFO 120V /37/37S
T902	9965 000 14230	△	STANDBY TRANSFO 230V /22S
T903	9965 000 14208	△	POWER TRANSFORMER EE-42 50W

DIODES

BR901	9965 000 14176	△	KBU808 8A 800V SEP
D901	4822 130 11044	△	BYV26D
D902	4822 130 30621		1N4148
D903	4822 130 31438	△	1N4001G
D904	4822 130 30621		1N4148
D905	9965 000 14186	△	MUR1620CT 8A 200V
D906	5322 130 32677	△	1N5822
D907	9965 000 14187	△	HER204 2A/300V 50NS
D908	9965 000 14188	△	HER104 1A/300V 50NS

ELECTRICAL PARTS LIST - POWER BOARD

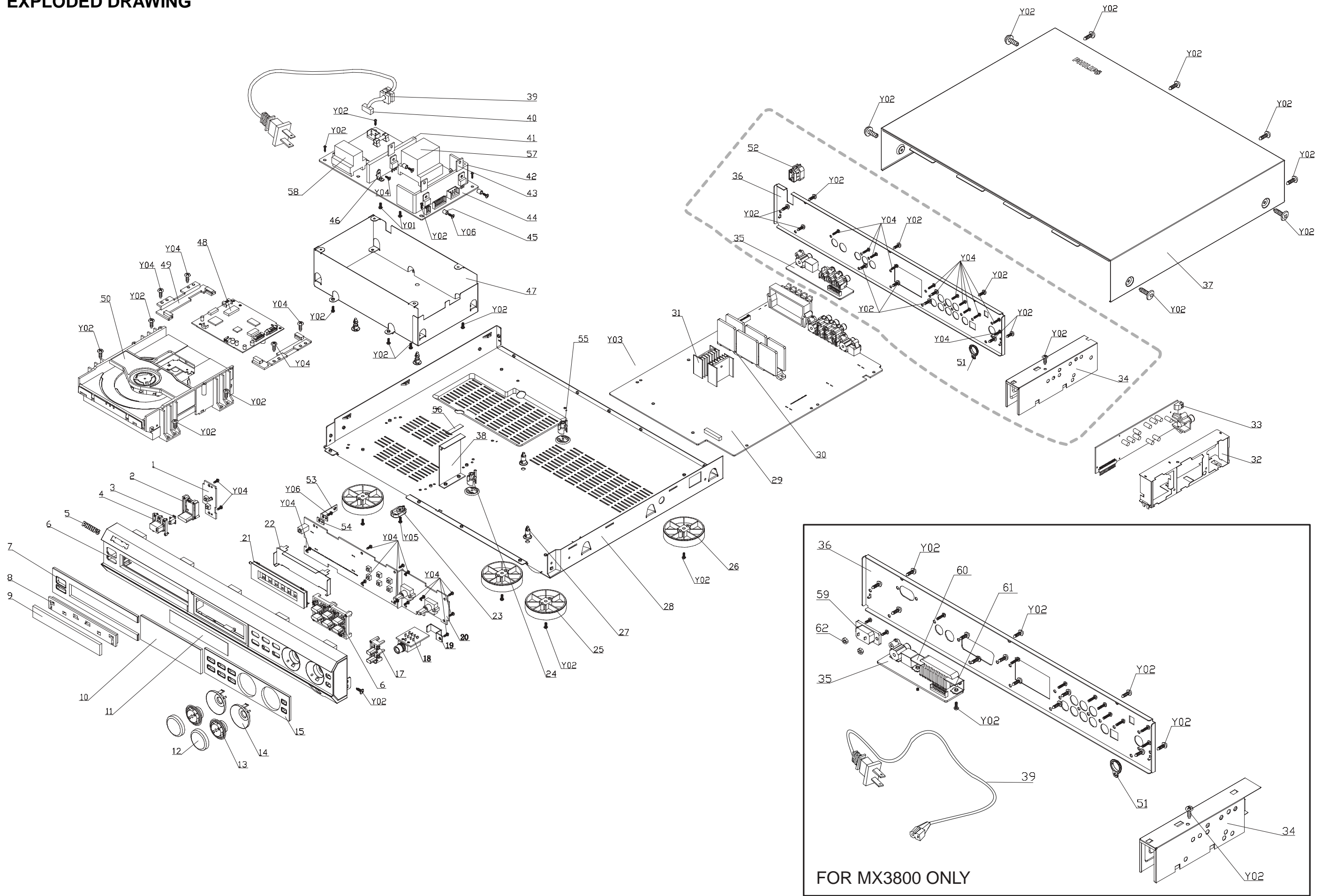
D909	4822 130 30621		1N4148
D910	4822 130 30621		1N4148
ZD901	9965 000 14209	△	P6KE200A
ZD902	9965 000 14210		ZENER 5,6-5,9V 0,5W
ZD903	4822 130 80272		MTZJ7,5C

TRANSISTORS & INTEGRATED CIRCUITS

IC903	9965 000 14189	△	TOP249 250W
IC904	4822 209 81397	△	TL431CLPST
Q903	5322 130 44115		2N2222A
Q904	5322 130 60082	△	TIP122
Q910	9965 000 02409		2N7000
Q912	9965 000 02409		2N7000
Q913	4822 130 41651		2SC2001L

Note: Only the parts mentioned in this list are normal service spare parts.

EXPLODED DRAWING



MECHANICAL & ACCESSORIES PARTS LIST - MAIN UNIT

SCREW LIST - MAIN UNIT

2	9965 000 14096	OPEN / CLOSE KNOB	
3	9965 000 14097	LED LENS	
4	9965 000 14098	POWER KNOB	
5	9965 000 12424	PHILIPS LOGO	
6	9965 000 14099	FRONT PANEL MX3600D	
6	9965 000 14291	FRONT PANEL MX3700D	
6	9965 000 14216	FRONT PANEL MX3800D	
7	9965 000 14217	POWER LENS	/22S
7	9965 000 14100	POWER KNOB TRIM	/37
7	9965 000 14292	POWER LENS	/37S
8	9965 000 14101	DVD DOOR	
9	9965 000 14218	DOOR LENS	/22S
9	9965 000 14102	DOOR LENS	/37/37S
10	9965 000 14219	VFD LENS	/22S
10	9965 000 14103	VFD LENS	/37/37S
12	9965 000 14104	VOLUME CAB	
13	9965 000 14105	VOLUME SHAFT	
14	9965 000 14221	VOLUME RING	/22S
14	9965 000 14106	VOLUME RING	/37/37S
15	9965 000 14222	FUNCTION LENS	/22S
15	9965 000 14107	FUNCTION KNOB TRIM	/37
15	9965 000 14293	FUNCTION LENS	/37S
16	9965 000 14108	FUNCTION KNOB	
17	9965 000 14109	BASS KNOB	
24	9965 000 12437	PCB BRACKET	
25	9965 000 14110	FOOT	
26	9965 000 14111	FOOT	
27	9965 000 12445	SPACER	
39	9965 000 14112	BUSHING FIXED AC CORD	
40	9965 000 12820	△ MAINS CORD	/22S
40	9965 000 12818	△ MAINS CORD	/37/37S
48	9965 000 13082	DVD FRONTEND SERVO PCB ASSY	
50	9965 000 12822	DVD LOADER MODULE	
51	9965 000 12441	HOLDER	
52	9965 000 12817	BUSHING	/37/37S
55	9965 000 12455	PCB BRACKET	
59	9965 000 12443	△ MAINS SOCKET	/22S
	9965 000 14114	AM LOOP ANTENNA	
	9965 000 14115	FLEX CABLE 16PINS (CN201 TO DVD)	
	9965 000 14116	FLEX CABLE 26PINS (CN103 TO DVD)	
	9965 000 14117	FM ANTENNA	
	9965 000 14223	INSTRUCTION FOR USE	/22S
	9965 000 14118	INSTRUCTION FOR USE	/37/37S
	9965 000 13060	REMOTE CONTROL	
	9965 000 13092	RGB CABLE 3P 1,5M	except /22S

LOUDSPEAKER BOX BREAKDOWN

9965 000 14224	FRONT SPEAKER BOX	/22S
9965 000 14120	FRONT SPEAKER BOX	/37/37S
9965 000 14225	SURROUND SPEAKER BOX	/22S
9965 000 14121	SURROUND SPEAKER BOX	/37/37S
9965 000 14226	CENTER SPEAKER BOX	/22S
9965 000 14122	CENTER SPEAKER BOX	/37/37S
9965 000 11846	GRILLE ASSY, FR/REAR SPK	/37/37S
9965 000 11848	GRILLE ASSY, CENTER SPK	/37/37S
9965 000 14123	MOUNTING BRACKET	

Note: Only the parts mentioned in this list are normal service spare parts.

Y01	M3 x 6
Y02	D3 x 6
Y03	D3 x 16
Y04	D3 x 8
Y05	D3 x 8
Y06	D3 x 10